

CRANE

MEDIA 1&2 - 186,187,471 & 472

MERCHANT

MEDIA 1&2

PARTS MANUAL



CRANE

3330 Dixie Narco Blvd • Williston SC 29853

www.cranems.com

HOW TO ORDER PARTS

MODELS 186, 187, 471, 472

1. Refer to the machine breakdown above. Each assembly breakdown contains an item description and page location in this parts manual.
2. Determine part number(s) needed by referring to drawing of part. Locate item number from drawing and refer to item number, part number and description.
3. Complete your parts order, double check part numbers and quantities. Include a call back number in the event there is a question regarding your order. Fax, email or mail your order to National Vendors or place your order online at www.cranems.com.
4. Specify how you would like your order to be shipped. If you do not specify, we will ship the most economical way. In the case of warranty replacements, we reserve the right to determine the method of shipment.

Should you have questions pertaining to this manual or the vendor, please contact Crane Merchandising Systems or write directly to:

Crane Merchandising Systems
3330 Crane Way, P.O. Drawer 719
Williston, SC 29853 USA 803-266-8890
or 800-621-7278 803-266-5051 (fax)
Email: parts@cranems.com
www.cranems.com

List of Figures

FIGURE 1: ASSY, SERVICE DOOR, MERCHANT MEDIA	4
FIGURE 1A: ASSY, SERVICE DOOR, MERCHANT MEDIA 9" TOUCHSCREEN.....	7
FIGURE 2: ASSY, MERCHANT BEZEL	8
FIGURE 3: MONETARY PILL 3.5 (KEYPAD).....	11
FIGURE 4A: MONETARY PILL 7" (TOUCHSCREEN)	13
FIGURE 4B: MONETARY PILL 7" (TOUCHSCREEN)	15
FIGURE 5: ASSY, MONETARY FAN MER CMB.....	17
FIGURE 6: ASSEMBLY, COIN MECH.....	19
FIGURE 7: ASSEMBLY, COIN MECH BEFORE DECEMBER 2012.....	19
FIGURE 8: AMBIENT CABINET AND GLASS DOOR ASSEMBLY.....	21
FIGURE 9: DEL BIN ASSEMBLY COMMON AMBIENT 4W.....	23
FIGURE 10: BIN & PANEL ASM AMBIENT 4W.....	25
FIGURE 11: DEL BIN ASSEMBLY COMMON 6W.....	27
FIGURE 12: BIN & PANEL ASM AMBIENT 6W	29
FIGURE 13: COMBO CABINET AND GLASS DOOR ASSEMBLY	31
FIGURE 14: BIN & PANEL ASM COMBO 4W.....	33
FIGURE 15: BIN & PANEL ASM COMBO 6W	35
FIGURE 16: COVER, CORD	37
FIGURE 17: REFRIGERATION UNIT ASSEMBLY – DOMESTIC 4W	39
FIGURE 18: REFRIGERATION UNIT ASSEMBLY – DOMESTIC 6W	41
FIGURE 19: REFRIGERATION UNIT ASSEMBLY – 230VAC 4W (471,472).....	43
FIGURE 20: COMBO ADA BIN BARRIER.....	45
FIGURE 21: SNACK TRAY.....	47
FIGURE 22: CANDY TRAY	49
FIGURE 23: SQUAT TRAY	51
FIGURE 24: HALF CYCLE GUM & MINT SPIRAL ASSEMBLY	53
FIGURE 25: SNACK AND CANDY TRAY ASSEMBLY COMBO... ..	55
FIGURE 27: BOTTLE TRAY ASSEMBLY COMBO... ..	59
FIGURE 28: ASSY AC BOX AMB -120VAC... ..	61
FIGURE 29: ASSY AC BOX COMBO – 120VAC... ..	63
FIGURE 30: ASSY AC BOX AMB – 230VAC... ..	65
FIGURE 31: ASSY AC BOX COMBO – 230VAC... ..	67
FIGURE 32: ZONE BARRIER COMBO	69
FIGURE 33: ASSY, MEDIA INTERNAL KEYPAD – OPTIONAL.....	71
FIGURE 34: MEDIA TALKER SPEAKER AND BRACKET ASSY – OPTIONAL	73

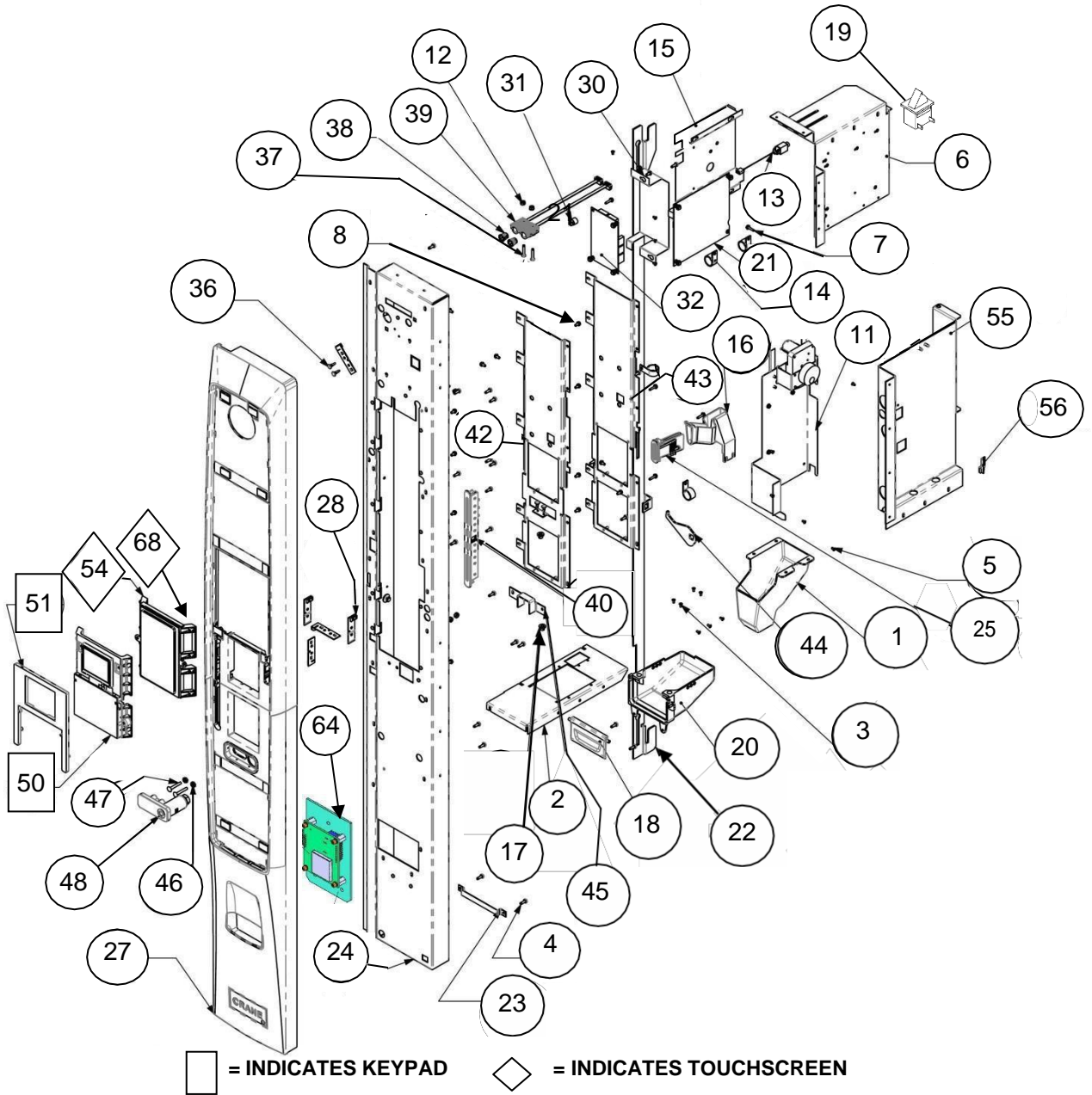


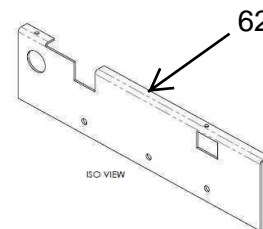
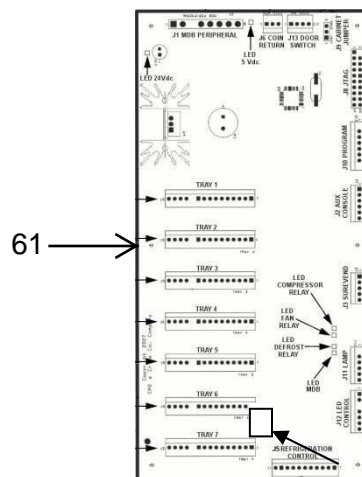
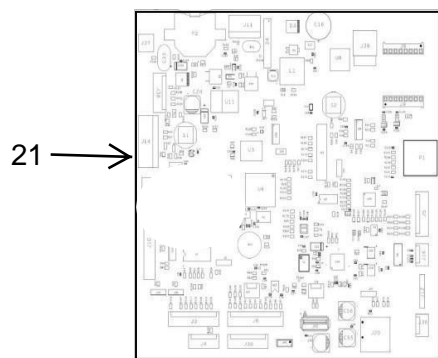
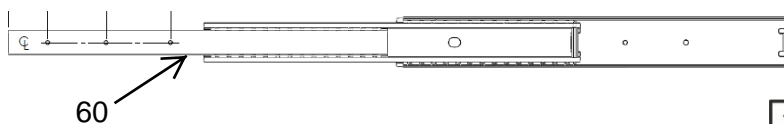
FIGURE 1: ASSY, SERVICE DOOR, MERCHANT MEDIA

TABLE 1: ASSY, SERVICE DOOR, MERCHANT MEDIA

ITEM	KEYPAD 3.5"	7" SCREEN	9" SCREEN	DESCRIPTION	QTY
1	CR0013136	CR0013136	CR0013136	CHUTE, COIN RETURN LOWER MERCH	1
2	CR0013342	CR0013342	CR0013342	BRKT, LOWER CHUTE, COMBO	1
3	C3502078	C3502078	C3502078	RIVET, POP-.125 DIA X .265	7
4	4277042	4277042	4277042	SCREW, #8-10 x.5 T/F-PHS	29
5	80110081	80110081	80110081	RIVET, 1/8 STEEL ZINC PLT	10
6	CR0016338	CR0016338	CR0016338	ASSY, BKT UPR G MONETARY	1
7	1471199	1471199	1471199	SCREW-#8-18 x .62 HEX/WH.	5
8	C3157060	C3157060	C3157060	SCREW,#8-32X.31 HEX W/HD.-TF	*
9	CR0010913	CR0010913	CR0010913	HARNESS-DOOR SWITCH (not shown)	1
10	80491101	80491101	80491101	GROUND,R, LEAD 16AWG 32in (not shown)	1
11	CR0018826	CR0018826	CR0018826	ASSY, COIN MECH	1
12	C6333020	C6333020	C6333020	NUT, #8-32 KEPS ZINC PLATE	5
13	CR0012945	CR0012945	CR0012945	HARNESS, DEX PANEL MOUNT	1
14	C6231035	C6231035	C6231035	CLIP, HARNESS .750	4
15	CR0014661	CR0014661	CR0014661	COVER, ATLAS G & H BOARD	1
16	CR0021138	CR0021138	CR0021138	CHUTE, COIN	1
17	C1815066	C1815066	C1815066	STABILIZER-COIN MECH	2
18	CR0021032	CR0021032	CR0021032	FLAP COIN RETURN CUP, MERCH	1
19a	C6921034	C6921034	C6921034	SWITCH, DOOR (NEW)	1
19b	C1401110	C1401110	C1401110	SWITCH, DOOR (OLD)	1
20	CR0013137	CR0013137	CR0013137	CUP, COIN, BV/MERCH	1
21a	EL13158002	EL13158002	NOT USED	ATLAS G BOARD (used on Media 1 only)	1
21b	NOT USED	NOT USED	EL15229000	ATLAS H BOARD (used on Media 2 only)	1
22	CR0014645	CR0014645	CR0014645	LOCKBAR MERCHANT/MG	1
23	CR0014122	CR0014122	CR0014122	BRACKET, LOWER BOSS	1
24	CR0012804	CR0012804	CR0012804	ASSY, MERCHANT G SERVICE DOOR	1
25a	CR0012773	CR0012773	CR0012773	INSERT, COIN RAMP	1
25b	MT14642090	MT14642090	MT14642090	BLANKING BRKT COIN ENTRY	1
26	C4727069	C4727069	C4727069	GASKET, .19X.38	48
27	CR0014990	CR0014990	CR0014990	ASSY, MERCHANT BEZEL	1
28	CR0028660	CR0028660	CR0028660	BOARD, LED ACCENT	5
29	CR0010661	CR0010661	CR0010661	HARNESS-LED (not shown)	1
30	CR0021361	CR0021361	CR0021361	COVER, LED BOARD	1
31	C1571034	C1571034	C1571034	STANDOFF, PCB-3/8 SCREW MOUNT	1
32	CR0014114	CR0014114	CR0014114	ASSY, PCB, LED DRIVER	1
33	CR0014535	CR0014535	CR0014535	HARNESS, LED BADGE (not shown)	1
34	CR0026402	CR0026402	CR0026402	GUIDE, Ø5mm FLEX LIGHT (not shown)	1
35	CR0015428	CR0015428	CR0015428	HARNESS, LED BUNDLE (not shown)	1
36	D80190380	D80190380	D80190380	STANDOFF,R,RICHCO	4
37	D80030492	D80030492	D80030492	SCRW,R,8-32X1 PHLPAN ZNC	2
38	CR0012948	CR0012948	CR0012948	SLEEVE, SPLIT,LIGHT PIPE	2
39	CR0026405	CR0026405	CR0026405	LGHT ENGINE,HIGH BRGHTNESS RGB	2
40	CR0014768	CR0014768	CR0014768	A,BEZEL,CRDRDR & MAGHEAD	1
41	CR0029020	CR0029020	CR0029020	HARNESS, CARDREADER (not shown)	1
42	CR0030062	CR0030062	CR0030062	ASSY BRKT PAYMENT INT BILL	1
43	CR0014642	CR0014642	CR0014642	ASSY BRKT PAYMENT STD	1

CRANE Merchant™ Media Parts Manual

ITEM	KEYPAD 3.5"	7" SCREEN	9" SCREEN	DESCRIPTION	QTY
44	CR0012926	CR0012926	CR0012926	ARM, ACTUATOR	1
45	CR0022656	CR0022656	CR0022656	STIFFENER, L-LOCK	1
46	D80080166	D80080166	D80080166	NUT,R, HEX, 10-24, W/WASHER	2
47	CR0010130	CR0010130	CR0010130	BOLT, CARRIAGE,#10-24-1 1/4	2
48	CR0012934	CR0012934	CR0012934	L-HANDLE MEDIA GLOBAL	1
49	CR0028645	NOT USED	NOT USED	HARN, ATLAS G TO KEYPAD DISPLAY (not shown)	1
50	CR0014704	NOT USED	NOT USED	KEYPAD ASSY, MEDIA LITE	1
51	CR0014706	NOT USED	NOT USED	ASSY, FRAME KEYPAD MEDIA LITE	1
52	NOT USED	CR0023378	NOT USED	HARNNESS MERCHANT LE TO LCD (not Shown)	1
53	NOT USED	CR0023378	NOT USED	HARN,ATLAS G - 7in TOUCH MEDIA 1 (not Shown)	1
-	NOT USED	NOT USED	CR0028945	HARN ATLAS H – 9" TOUCH MEDIA 2 (not shown)	1
54a	NOT USED	MMK TSCREEN	NOT USED	7" TOUCH SCREEN ASSEMBLY	1
54b	NOT USED	NOT USED	CR0029977	9" TOUCH SCREEN ASSEMBLY	1
55	CR0021133	CR0021133	CR0021133	ASSY, RT SIDE MONETARY BRKT	1
56	D80130453	D80130453	D80130453	LATCH,R, ACCESS DOOR	1
57	CR0013989	CR0013989	CR0013989	HARNNESS-MDB (Not Shown)	1
58	D80492814	D80492814	D80492814	PWR CRD,16AWG, 171" DOM GFCL (not shown)	1
59	C4727069	C4727069	C4727069	GASKET, .19X.38 (100 ft/roll) (not shown)	48"
60	CR0012692	CR0012692	CR0012692	SLIDE, MONETARY(SEE BELOW)	3
61	CR0012301	CR0012301	CR0012301	PCB ASSY-MERCHANT IO-V2.27	1
62	CR0013405	CR0013405	CR0013405	BRACKET, 3RD. SLIDE, COMBO	1
63	C1811036	C1811036	C1811036	COIN BOX (NOT SHOWN)	1
64	CR0023291	CR0023291	CR0023291	BOARD,UIC 680 NFC READER MEDIA	1
65	C4725049	C4725049	C4725049	KIT, RETROFIT, INT NFC LOW	1
66	C4725050	C4725050	C4725050	K, RETROFIT INT NFC LED	1
67	D36005072	D36005072	D36005072	PLATE, FILLER BILL VLDTR	1
68	CR0021368	CR0021368	NOT USED	ASSY, FRAME ADH 7IN TOUCH	1



MICRO SD CARD PORT

TABLE 34: MEDIA TALKER SPEAKER AND BRACKET ASSY

ITEM	PART NUMBER	DESCRIPTION	QTY
1	CR0021041	SPEAKER, USB 3.5"	1
2	CR0021043	SPEAKER BRACKER 3.5"	1

PAYMENT KITS

MMP NAYAX NAYAX FITTING KIT

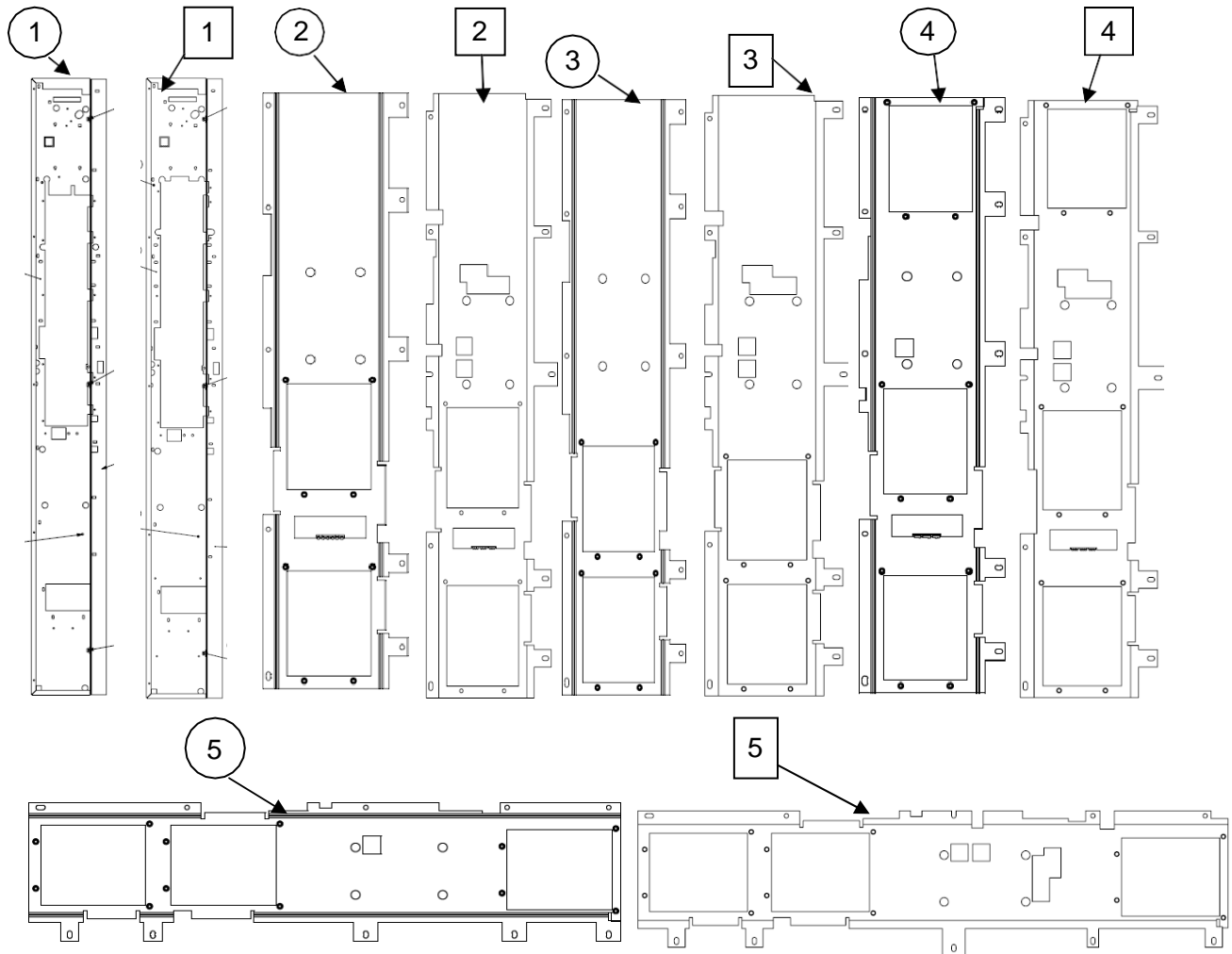


TABLE 1A: ASSY, SERVICE DOOR, MERCHANT MEDIA 9" TOUCH SCREEN

ITEM	PART NUMBER		DESCRIPTION	QTY
	TOUCHSCREEN 7"	TOUCHSCREEN 9"		
1	CR0012804	CR0029988	ASSY, MERCHANT G SERVICE DOOR	1
2	CR0014639	CR0030062	ASSY BRKT PAYMENT INT BILL	1
3	CR0014642	CR0029992	ASSY BRKT PAYMENT STD	1
4	CR0026401	CR0030064	A, BRKT, TOP KO INT PAYMENT	1
5	CR0026384	CR0030069	A, BRKT, TOP KO STD PAYMENT	1

○ = 7" TOUCHSCREEN

□ = 9" TOUCHSCREE

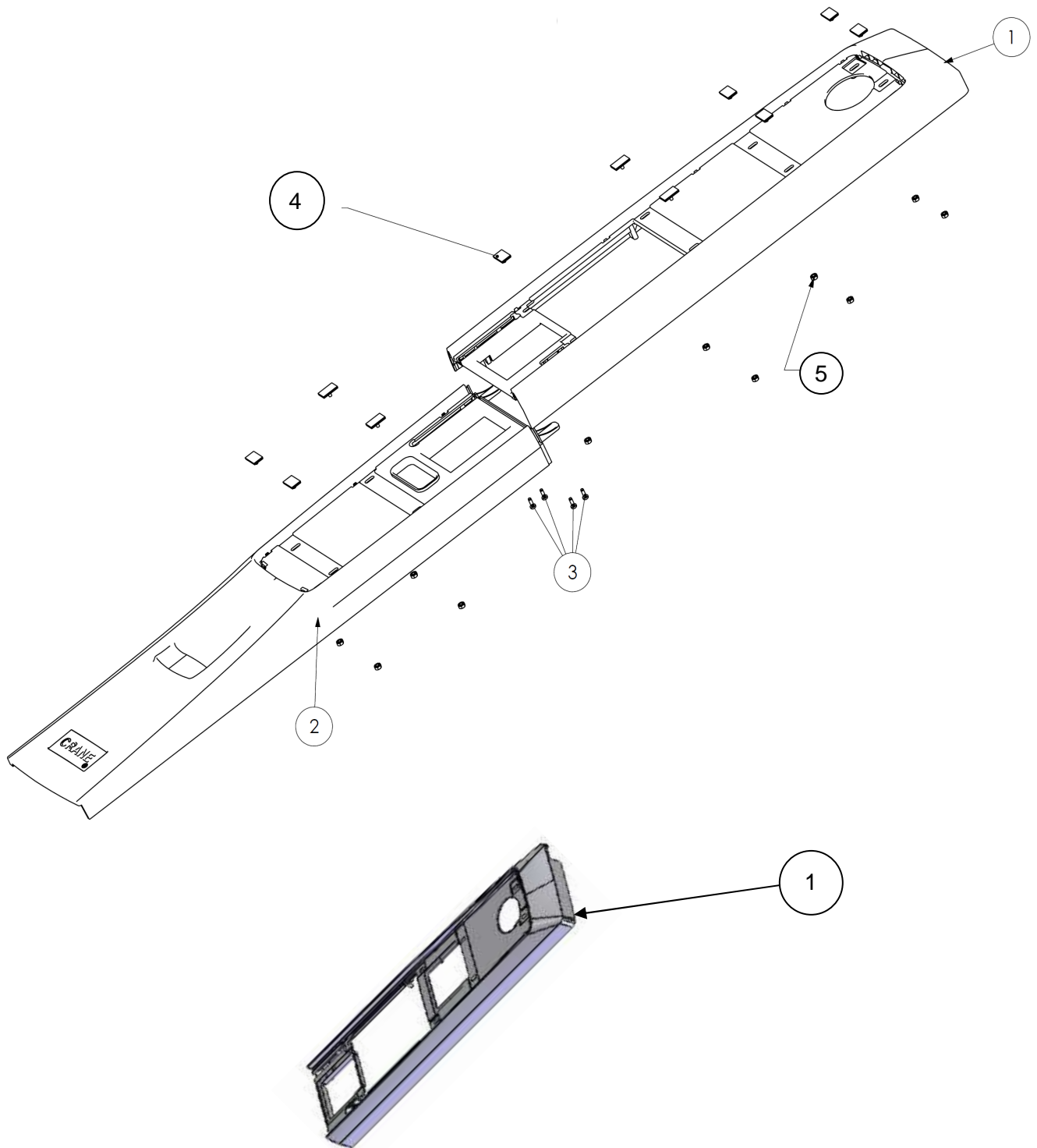


FIGURE 2: ASSY, MERCHANT BEZEL

TABLE 2: ASSY, MERCHANT BEZEL

TABLE 2: ASSY, MERCHANT BEZEL				
ITEM	PART NUMBER		DESCRIPTION	QTY
*	CHAMPAGNE	BLACK		
1	CR0013145	N/A	BEZEL, UPPER CHAMPAGNE	1
1	CR0030060	N/A	BEZEL,UPR MERCHANT CHAM TOP KO	1
1	N/A	CR0030057	BEZEL,UPPER,BLACK	1
2	CR0012270	N/A	PANEL, LOWER CHAMPAGNE	1
2	N/A	CR0021605	PANEL, LOWER BLACK	1
3	C4277042	C4277042	SCREW, #8-10 x.5 T/F-PHS	4
4a	CR0021117	CR0021117	ASSY, ADHESIVE PILL MNT	11
4b	ZC13163000	ZC13163000	TAPE, 3M VHB5952 (33 M) (not shown)	
4c	CR0021117	CR0021117	ASSY ADHESIVE PILL MNT (not shown)	
5	C6333020	C6333020	NUT, #8-32 KEPS ZINC PLATE	11










							
<p>I</p>	<p>J</p>	<p>K</p>	<p>L</p>	<p>M</p>	<p>N</p>	<p>O</p>	<p>P</p>
	<p>CUSTOM PILLS ARE AVAILABLE BY INQUIRING WITH ORDER ENRTY TEAM OR BY CONTACTING YOUR SALES REPERSENTATIVE</p>						
<p>R</p>							
<p>PILL, MERCH, 3.5IN</p>							

FIGURE 3: MONETARY PILL 3.5(KEYPAD)

TABLE 3: MONETARY PILL 3.5”(KEYPAD)

ITEM	PART NUMBER		DESCRIPTION	QTY
	BLUE(US)	BLACK(UK)		
I	1875000	1875001	Pill, Merchant, 3.5", Integrated Coin, Bill, Credit Card	1
J	1875002	1875003	Pill, Merchant, 3.5", Integrated Coin & Credit Card + Upper Knockout	1
K	1875004	PL15025000	Pill, Merchant, 3.5", Integrated Coin, Bill, no Credit Card	1
L	1875006	PL15026000	Pill, Merchant, 3.5", Integrated Coin, Upper Knockout,	1
M	1875008	PL15028000	Pill, Merchant, 3.5", Integrated Coin, Upper & Lower Knockout	1
N	1875010	1875011	Pill, Merchant, 3.5", Integrated Coin & Credit Card + Upper & Lower Knockout	1
O	1875012	1875013	Pill, Merchant, 3.5", Integrated Coin, Bill, Credit Card + Lower Knockout	1
P	1875014	PL15030000	Pill, Merchant, 3.5", Integrated Coin, Bill, + Lower Knockout	1
R	1875034	PL15024000	Pill, Merchant, 3.5I", coin only	1
















							
A	B	C	D	E	F	G	H
PILL, MERCH,7IN, INT	PILL, MERCH,7IN ,INT CRD	PILL, MERCH,7IN, INT BILL	PILL, MERCH,7IN	PILL, MERCH,7 IN,2KO	PILL, MERCH,7IN, INTCRD,2KO	PILL, MERCH,7IN, INT LWR	PILL, MERCH,7IN, INT BILL, LWR KO
	<div style="border: 1px solid black; padding: 5px; width: fit-content; margin: 0 auto;"> <p>CUSTOM PILLS ARE AVAILABLE BY INQUIRING WITH ORDER ENTRY TEAM OR BY CONTACTING YOUR SALES REPRESENTATIVE</p> </div>						
Q							
PILL,MERCH 7IN							

FIGURE 4A: MONETARY PILL 7”(TOUCHSCREEN)

TABLE 4: MONETARY PILL 7”(TOUCHSCREEN)

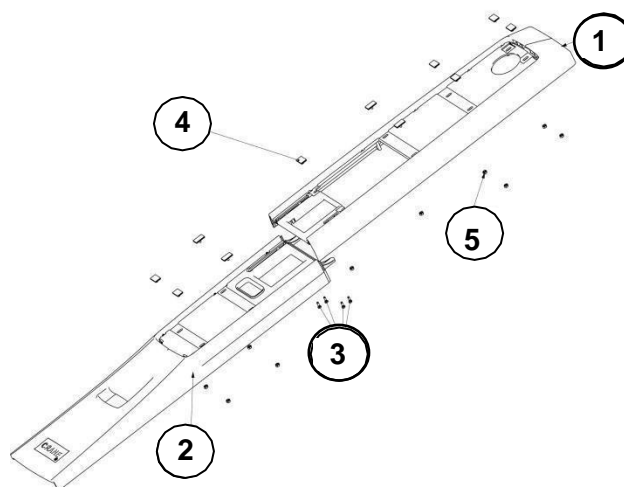
ITEM	PART NUMBER		DESCRIPTION	QTY
	BLUE(US)	BLACK(UK)		
A	1875016	1875017	Pill, Merchant,7” , Integrated Coin, Bill, Credit Card	1
B	1875018	1875019	Pill, Merchant, 7”, Integrated Coin & Credit Card + Upper Knockout	1
C	1875020	PL15021000	Pill, Merchant, 7”, Integrated Coin, Bill, no Credit Card	1
D	1875022	PL15022000	Pill, Merchant, 7”, Integrated Coin, Upper Knockout,	1
E	1875024	PL15027000	Pill, Merchant, 7”, Integrated Coin, Upper & Lower Knockout	1
F	1875026	1875027	Pill, Merchant, 7”, Integrated Coin & Credit Card + Upper & Lower Knockout	1
G	1875028	1875029	Pill, Merchant, 7”, Integrated Coin, Bill, Credit Card + Lower Knockout	1
H	1875030	PL15029000	Pill, Merchant, 7”, Integrated Coin, Bill, + Lower Knockout	1
Q	1875032	PL15023000	Pill, Merchant,,7”, coin only	1

					
A	B	C	D	E	F
PILL, MERCH,9", COIN ONLY	PILL, MERCH,9" COIN, LWR KO	PILL, MERCH,9", INT BILL, UPPR KO	PILL, MERCH,9" COIN, UPPR KO	PILL, MERCH,9" COIN, 2KO	PILL, MERCH,9", INTCRD,LWR KO

CUSTOM PILLS ARE AVAILABLE BY INQUIRING WITH ORDER ENTRY TEAM OR BY CONTACTING YOUR SALES REPRESENTATIVE

FIGURE 4B: MONETARY PILL 9" (TOUCHSCREEN)

TABLE 5: MONETARY PILL 9”(TOUCHSCREEN)			
ITEM	PART NUMBER	DESCRIPTION	QTY
	BLACK(UK)		
A	PL16890000	Pill, Merchant,9” , Integrated Coin	1
B	PL17018000	Pill, Merchant, 9”, Integrated Coin & Lower Knockout	1
C	PL16889000	Pill, Merchant, 9”, Integrated Coin & integrated Note	1
D	PL16861000	Pill, Merchant, 9”, Integrated Coin, Upper Knockout,	1
E	PL16971000	Pill, Merchant, 9”, Integrated Coin, Upper & Lower Knockout	1
F	PL16196000	Pill, Merchant, 7”, Integrated Coin, Integrated note & Lower Knockout	1



ASSY, MERCHANT BEZEL			
ITEM	PART NUMBER	DESCRIPTION	QTY
1	CR0030056	BEZEL, UPPER CHAMPAGNE	1
2	CR0012270	PANEL, LOWER CHAMPAGNE	1
3	C4277042	SCREW, #8-10 x.5 T/F-PHS	4
4	CR0021117	ASSY, ADHESIVE PILL MNT	11
5	C6333020	NUT, #8-32 KEPS ZINC PLATE	11

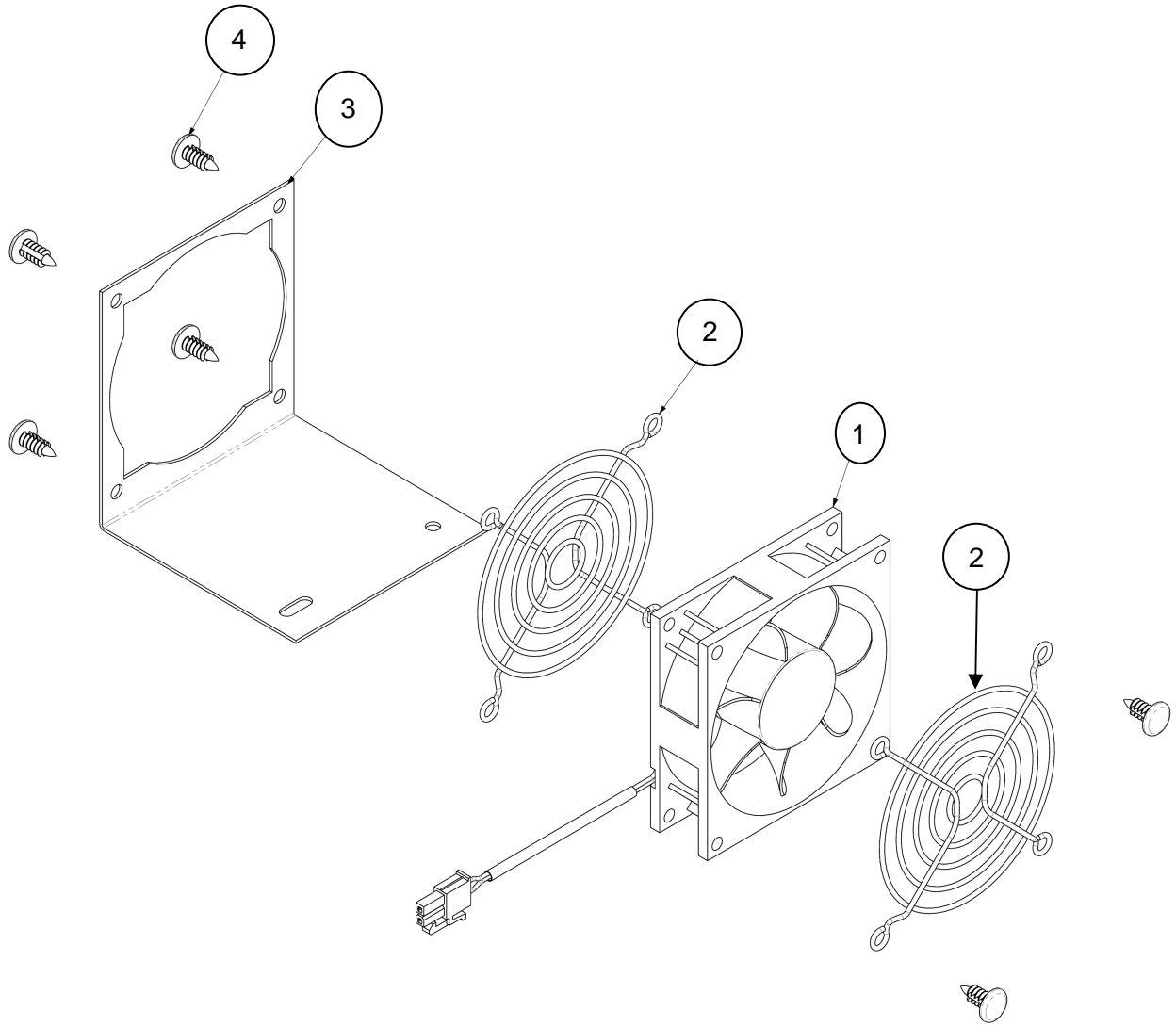


FIGURE 5: ASSY, MONETARY FAN MER CMB

TABLE 5: ASSY, MONETARY FAN MER CMB

ITEM	PART NUMBER	DESCRIPTION	QTY
*	PCR0020909	ASSY, MONETARY FAN MER CMB(INCLUDES P/N 1 - 4)	1
1	CR0020884	FAN, 80MM 24V MONETARY CMB	1
2	CR0020880	GUARD, 80MM FAN	2
3	CR0020892	BRKT, 80MM FAN CMB	1
4	CR0020950	RIVET,NYLON RIBBED SHANK BLK	6

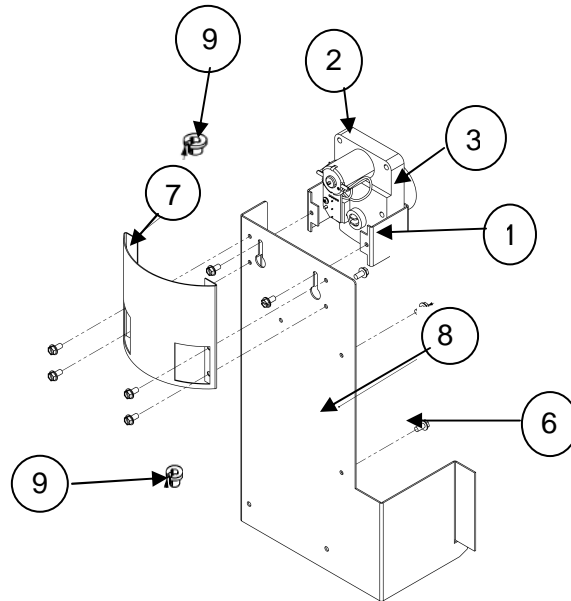


FIGURE 6: ASSEMBLY, COIN MECH

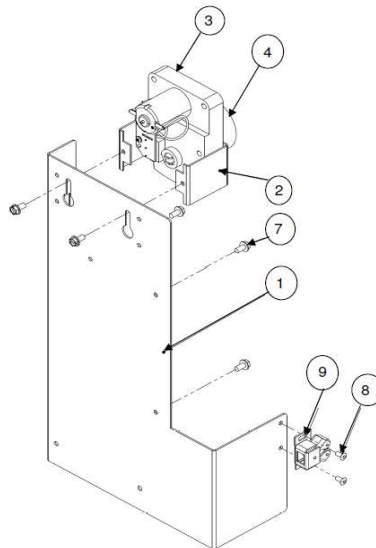


FIGURE 7: ASSEMBLY, COIN MECH BEFORE DECEMBER 2012

TABLE 6: ASSEMBLY, COIN MECH

ITEM	PART NUMBER	DESCRIPTION	QTY
*	CR0018826	ASSY, COIN MECH(INCLUDES P/N 1 – 9)	1
1	CR0012826	BRACKET, COIN RETURN MOTOR	1
2	C1477112	MOTOR & PC BOARD ASSEMBLY	1
3	C1815028	CAM-COIN RETURN	1
4	C4407712	COUPLING-MOTOR <i>(Not Shown)</i>	1
5	C1457027	SCREW,#8-32 X .81 HEX HD. <i>(Not Shown)</i>	2
6	C3157060	SCREW,#8-32X.31 HEX W/HD.-TF	5
7	CR0014129	SHIELD, ALIGNMENT	1
8	CR0021132	BRACKET, COIN MECH	1
9	C1815036	ASSY-COINMECH MOUNT	2
10	CR0013113	HARNESS, COIN RETURN(NOT SHOWN)	1

**TABLE 7: ASSEMBLY, COIN MECH
BEFORE DECEMBER 2012**

ITEM	PART NUMBER	DESCRIPTION	QTY
1	CR0018647	BRACKET, COIN MECH	1
2	CR0012826	BRACKET, COIN RETURN MOTOR	1
3	1577038	MOTOR & PC BOARD ASSEMBLY	1
4	1815028	CAM-COIN RETURN	1
5	4407712	COUPLING-MOTOR <i>(Not Shown)</i>	1
6	1457027	SCREW,#8-32 X .81 HEX HD. <i>(Not Shown)</i>	2
7	3157060	SCREW,#8-32X.31 HEX W/HD.-TF	5
8	3502078	RIVET, POP-.125 DIA X .265	2
9	80152201	ROLLER,R, DOUBLE, CATCH	1

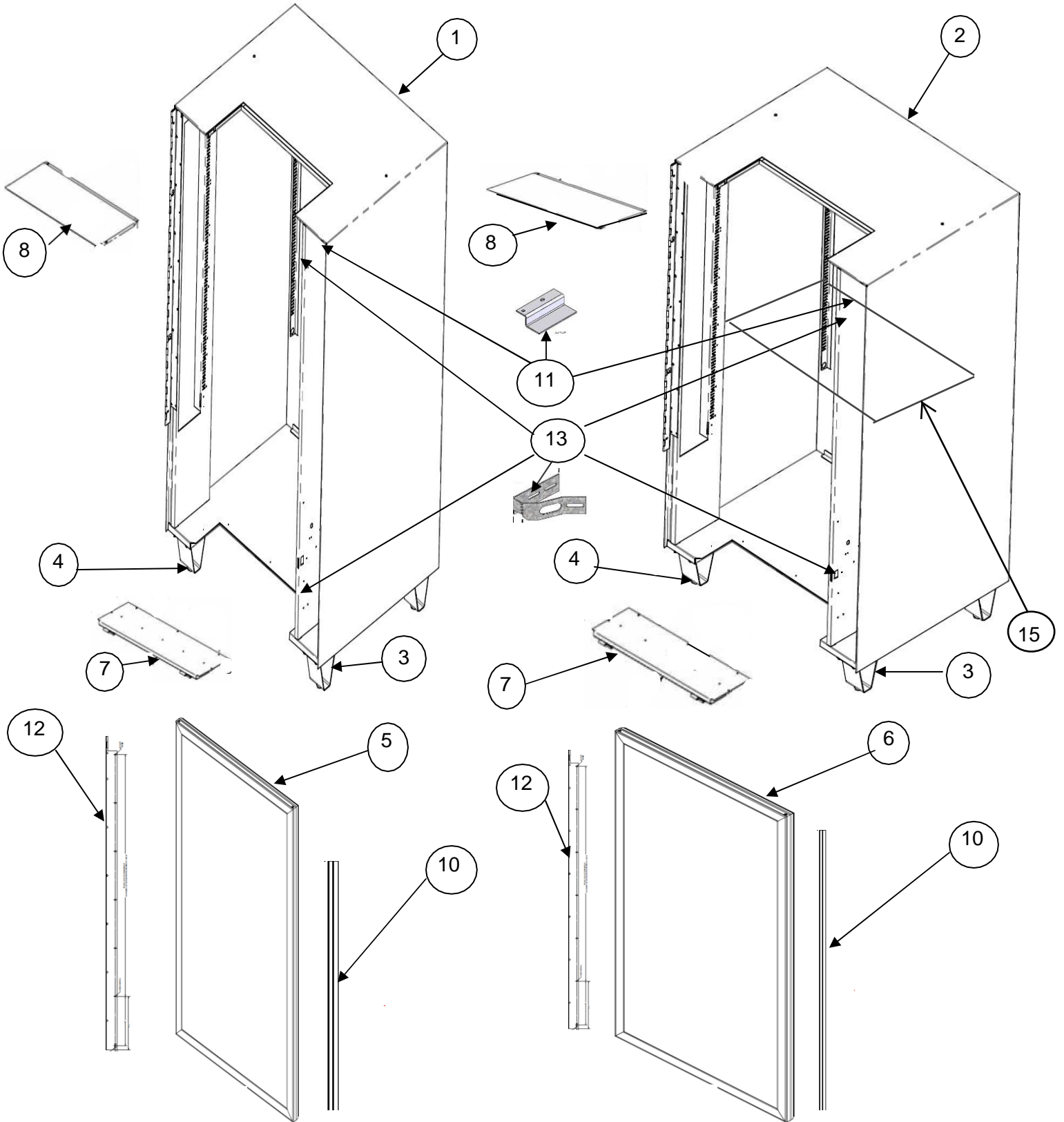


FIGURE 8: AMBIENT CABINET AND GLASS DOOR ASSEMBLY

TABLE 8: AMBIENT CABINET AND GLASS DOOR ASSEMBLY				
ITEM	PART NUMBER		DESCRIPTION	QTY
	186	187		
1	CR0019912	-----	ASSY, 4W AM "T" BLACK CAB	1
2	-----	CR0019353	ASSY, 6W AM T-BLACK CABINET	1
3	C1811001	C1811001	LEG ASSY-COMplete	4
4	C1811002	C1811002	LEVERLER-LEG	4
5	CR0009112	-----	DOOR, 4W CRIMP STYLE	1
6	-----	CR0008186	DOOR, 6W CRIMP STYLE	1
7	1801091	1811091	BOTTOM FILLER ASSY	1
8	1801027	1811078	FILLER-TOP-GALVANIZED	1
9	C1811036	C1811036	COIN BOX(NOT SHOWN)	1
10	CR0021467	CR0021467	BRKT, VANDAL, BLK	1
11	CR0023693	CR0023693	BRACKET, SWITCH STRIKE AMB	1
12	CR0023472	CR0023472	HINGE, PIANO(WELDED PART OF CABINET)	1
13	CR0008155	CR0008155	LOCK ARM, ENCLOSED MEDIA	2
14	1800815	1810815	BASE PLATE & ACCYS ASM (OPTION)	1

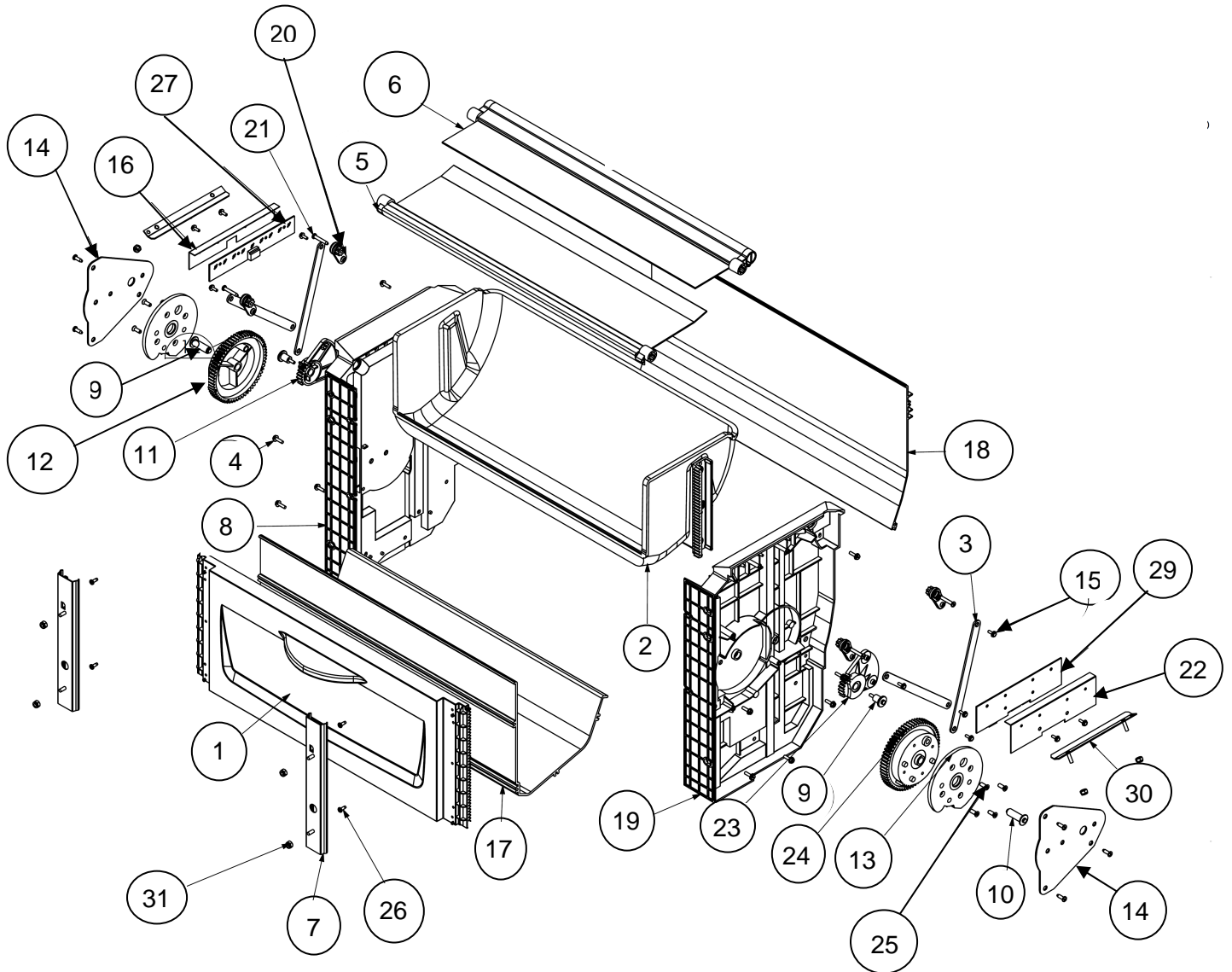


FIGURE 9: DEL BIN ASSEMBLY COMMON AMBIENT 4W

TABLE 9: DEL BIN ASSEMBLY COMMON 4W

ITEM	PART NUMBER	DESCRIPTION	QTY
1	CR0015252	ASSY, BEZEL MERCHANT	1
2	CR0013425	A, DELIVERY BUCKET 4 WD	1
3	CR0012669	LINK, FLAP ARM TO INDEX MER	4
4	C4741050	SCREW,#8-32X.50 HX.HD.-T/F-BLK	12
5	CR0014126	A, FLAP,PILFER 4WD FRNT	1
6	CR0014128	A, FLAP,PILFER 4WD REAR	1
7	CR0023113	SLIDE, MERCH ADA DEL BIN DOOR	2
8	CR0013975	BIN, SIDEWALL LEFT	1
9	CR0012316	AXLE, INDEX GEAR MER MEDIA	2
10	CR0012667	AXLE,BIN & DOOR GEAR	2
11	CR0028485	CAM LINKS (L)	1
12	CR0025330	GEAR-BIN & DOOR LH	1
13	CR0026214	CAM, DEL BIN	2
14	CR0013510	PLATE, AXLE RETAINER	2
15	C3128092	SCREW,HILO-7-19 X 3/8 HEX	12
16	1812011	COVER, EMITTER,SUREVEND	1
17	CR0021845	DIVIDER FR,DELIVERY BIN ADA 4W	1
18	CR0021846	DIVIDER,DEL BIN 4WD REAR MER G	1
19	CR0013978	SIDEWALL BIN (R)	1
20	CR0013930	ARM PIL. FLAP - DRIVE	4
21	C6922105	SCRW, PAN HD PLASTIT PH #7X1	4
22	1812012	COVER-RECEIVER-SUREVEND	1
23	CR0028486	CAM LINKS (R)	1
24	CR0028467	GEAR-BIN & DOOR RH	1
25	6237050	SCREW-#8-16X.44-SLTD-FLHD	8
26	C4747171	SCREW,#6-19 X .38 PHIL.PHS-T/C	4
27	CR0018333	PCB ASSY SUREVEND EMITTER	1
28	6922104	SCRW, PAN HD PLASTIT PH #7X.5	6
29	CR0022503	PCB,SUREVEND DETECTOR 24vSWTCH	1
30	CR0019403	ASSY, BIN VANDAL DEFLECT	2
31	80080155	NUT,R, ELASTIC STOP #8-32	8
32	CR0012293	DEFLECTOR, PRODUCT LED (NOT SHOWN)	1
33	C1811099	DEFLECTOR-PRODUCT-LED(NOT SHOWN)	1
34	CR0013942	BEARING, COUPLER LF RR (PART OF ASSEMBLY)	1
35	CR0013955	BEARING-COUPLER RF(PART OF ASSEMBLY)	1
36	CR0014848	BEARING, COUPLER RIGHT REAR(PART OF ASSEMBLY)	1
37	CR001472	BEARING, COUPLER LEFT REAR(PART OF ASSEMBLY)	1

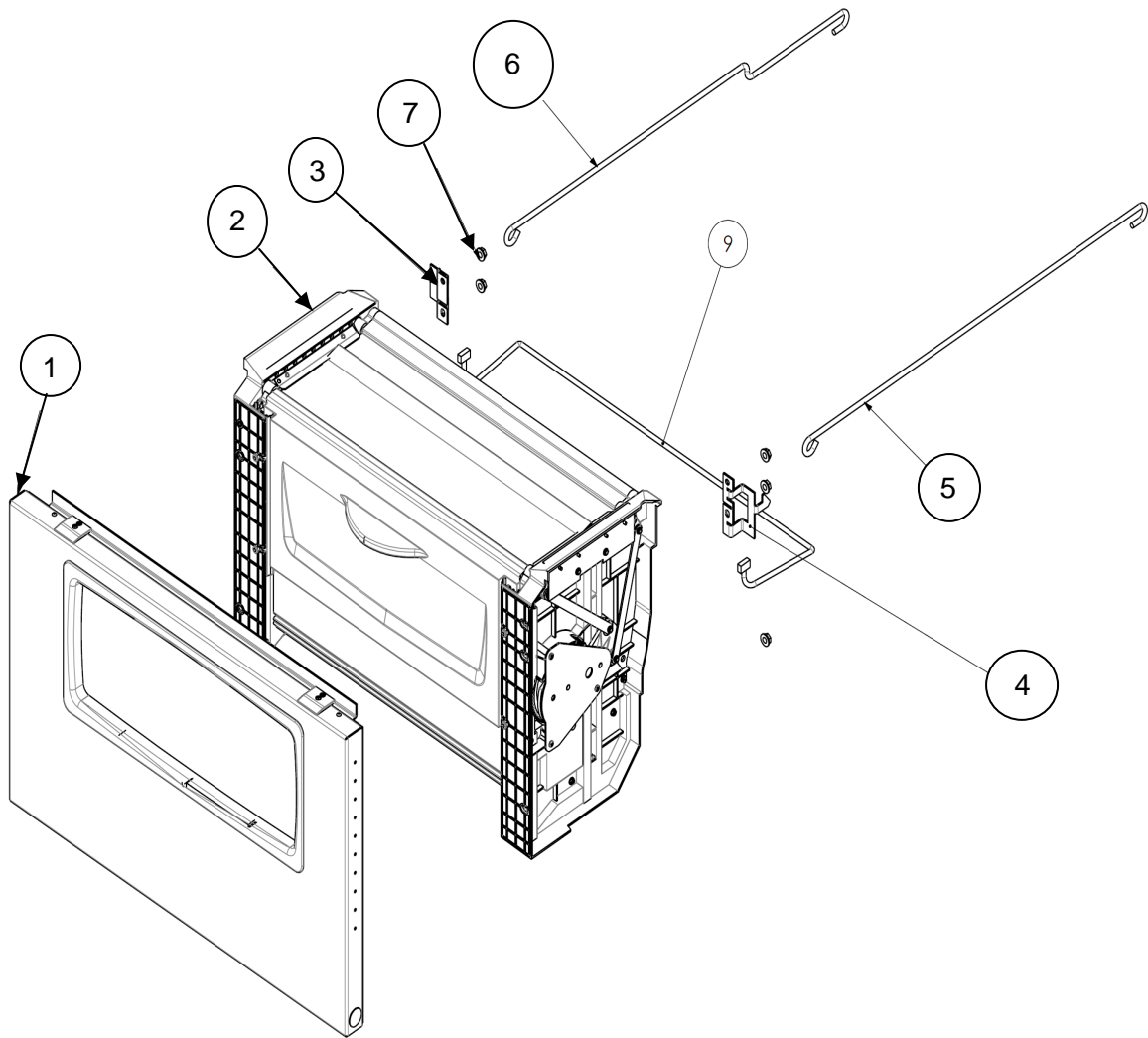


FIGURE 10: BIN & PANEL ASM AMBIENT 4W(PCR0013448)

TABLE 10: BIN & PANEL ASM AMBIENT 4W

ITEM	PART NUMBER	DESCRIPTION	QTY
1	PCR0014155	ASSY, PNL & LINER ADA 4W AMB	1
2	PCR0013478	A, DELIVERY BIN 4W COMMON	1
3	CR0013511	GUIDE, DEL BIN ELEVATOR	1
4	CR0013521	GUIDE-DELIVERY BIN (R)	1
5	1811072	ROD, STOP,DELIVERY DOOR	1
6	1811082	ROD-STOP-DEL DOOR-L/H	1
7	1172021	NUT, 1/4-20 WHIZ-LOCK	6
8	CR0005960	AERO FOAM-ADHESIVE BACKED <i>(Not Shown)</i>	60"
9	CR0017897	HARNESS, EMITTER TO DETECTOR	1
10	CR0022448	HARNESS, SUREVEND COMMS(NOT SHOWN)	1

TABLE 10A: ADA DELIVERY BIN GEAR KITS

ITEM	PART NUMBER	DESCRIPTION	QTY
1	472A702	KIT,RT & LT SIDE ADA BIN GEARS	1
2	4720798	KIT,RIGHT SIDE ADA BIN GEAR	1
3	4720799	KIT,LEFT SIDE ADA BIN GEAR	1

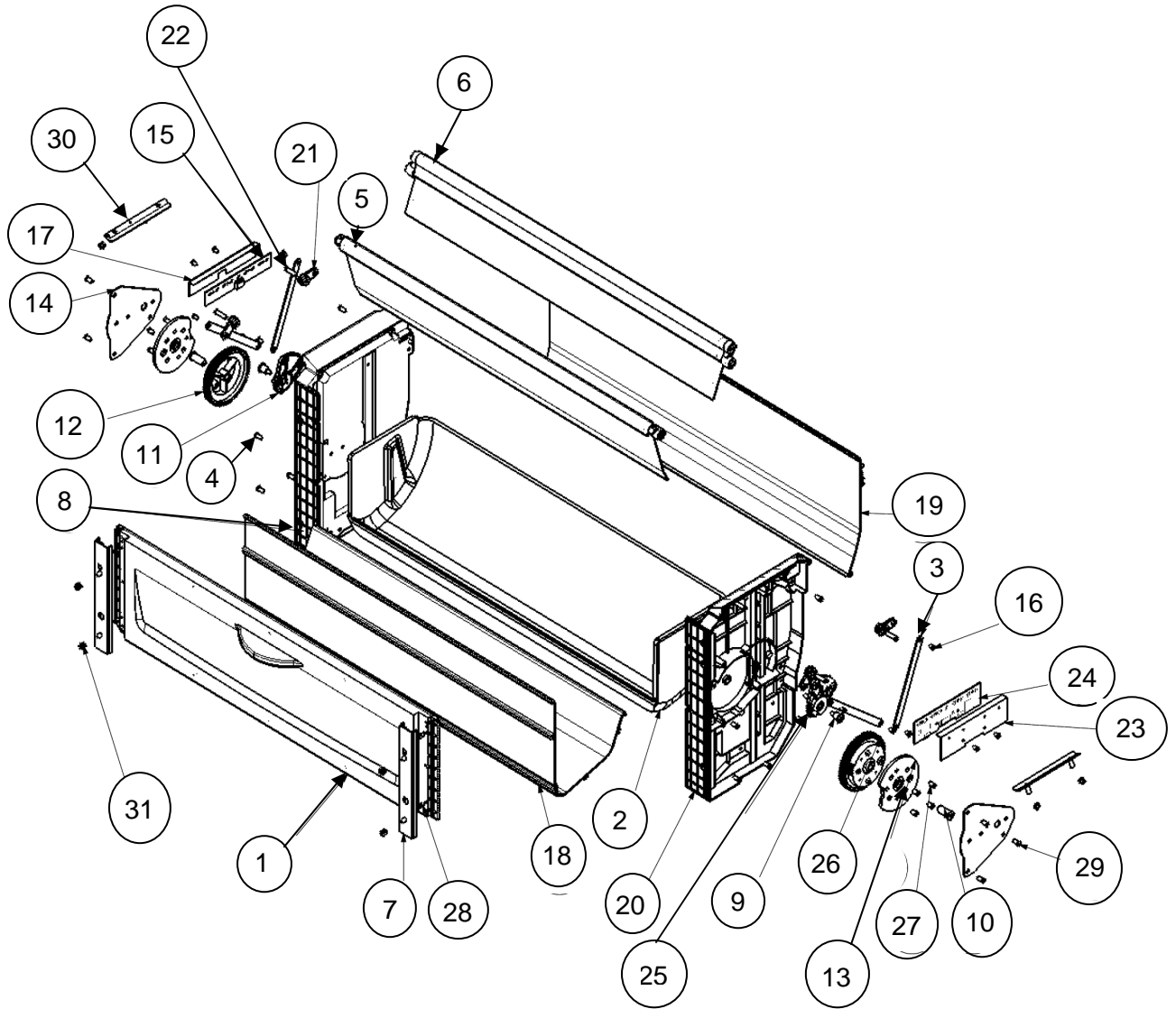


FIGURE 11: DEL BIN ASSEMBLY COMMON 6W

TABLE 11: DEL BIN ASSEMBLY COMMON 6W

ITEM	PART NUMBER	DESCRIPTION	QTY
1	PCR0012674	ASSY, DOOR BIN 6W	1
2	CR0012731	A, DELIVERY BUCKET 6 WD	1
3	CR0012669	LINK, FLAP ARM TO INDEX MER	4
4	C4741050	SCREW,#8-32X.50 HX.HD.-T/F-BLK	12
5	PCR0013937	A, FLAP,PILFER 6WD FRNT	1
6	PCR0013959	A, FLAP,PILFER 6WD REAR	1
7	CR0023113	SLIDE, MERCH ADA DEL BIN DOOR	2
8	CR0013975	SIDEWALL BIN (L)	1
9	CR0012316	AXLE, INDEX GEAR	2
10	CR0012667	AXLE,BIN & DOOR GEAR	2
11	CR0011544	CAM LINKS (L)	1
12	CR0025330	GEAR-BIN & DOOR LH	1
13	CR0026214	CAM, DEL BIN	2
14	CR0013510	PLATE, AXLE RETAINER	2
15	CR0018333	PCB ASSY SUREVEND EMITTER	1
16	C3128092	SCREW,HILO-7-19 X 3/8 HEX WASH	12
17	C1812011	COVER, EMITTER,SUREVEND	1
18	CR0021843	DIVIDER FR,DELIVERY BIN ADA 6W	1
19	CR0021844	DIVIDER,DEL BIN 6WD REAR MER G	1
20	CR0013978	SIDEWALL BIN (R)	1
21	CR0013930	ARM PIL. FLAP - DRIVE	4
22	C6922105	SCRW, PAN HD PLASTIT PH #7X1	4
23	1812012	COVER-RECEIVER-SUREVEND	1
24	CR0022503	PCB,SUREVEND DETECTOR 24vSWTCH	1
25	CR0028486	CAM LINKS (R)	1
26	CR0028467	GEAR-BIN & DOOR RH	1
27	6237050	SCREW-#8-16X.44-SLTD-FLHD	8
28	C4747171	SCREW,#6-19 X .38 PHIL.PHS-T/C	4
29	6922104	SCRW, PAN HD PLASTIT PH #7X.5	6
30	CR0019403	ASSY, BIN VANDAL DEFLECT	2
31	80080155	NUT,R, ELASTIC STOP #8-32	2

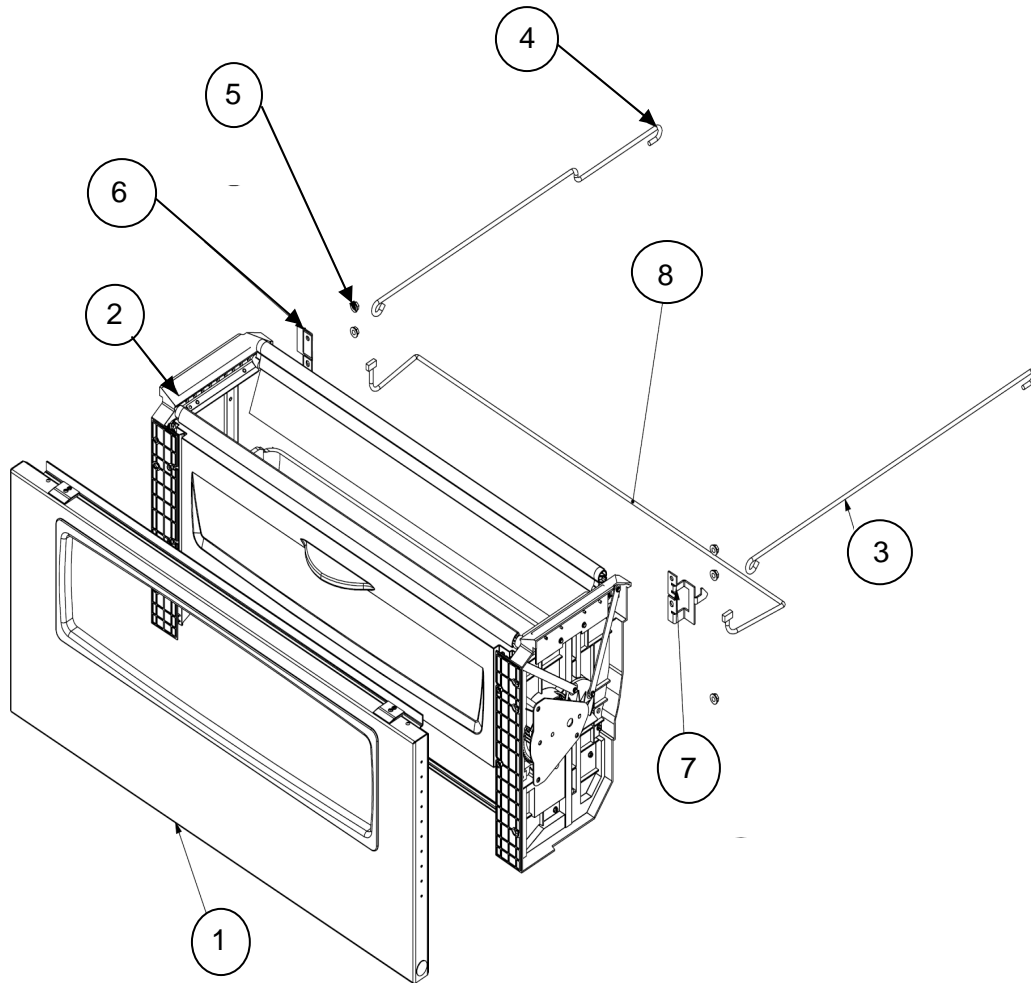


FIGURE 12: BIN & PANEL ASM AMBIENT 6W(PCR0012907)

TABLE 12: BIN & PANEL ASM AMBIENT 6W

ITEM	PART NUMBER	DESCRIPTION	QTY
1	PCR0013745	PANEL & LINER ASM AMB 6W	1
2	CR0013428	DEL BIN ASSY COMMON 6W	1
3	1811072	ROD, STOP, DELIVERY DOOR	1
4	1811082	ROD-STOP-DEL DOOR-L/H	1
5	C1211105	NUT, 1/4-20 WHIZ-LOCK	6
6	CR0013511	GUIDE, DEL BIN ELEVATOR	1
7	CR0013521	GUIDE-DELIVERY BIN (R)	1
8	CR0017897	HARNESS, EMITTER TO DETECTOR	1
9	CR0005960	FOAM, AERO ADHESIVE BACKED	72

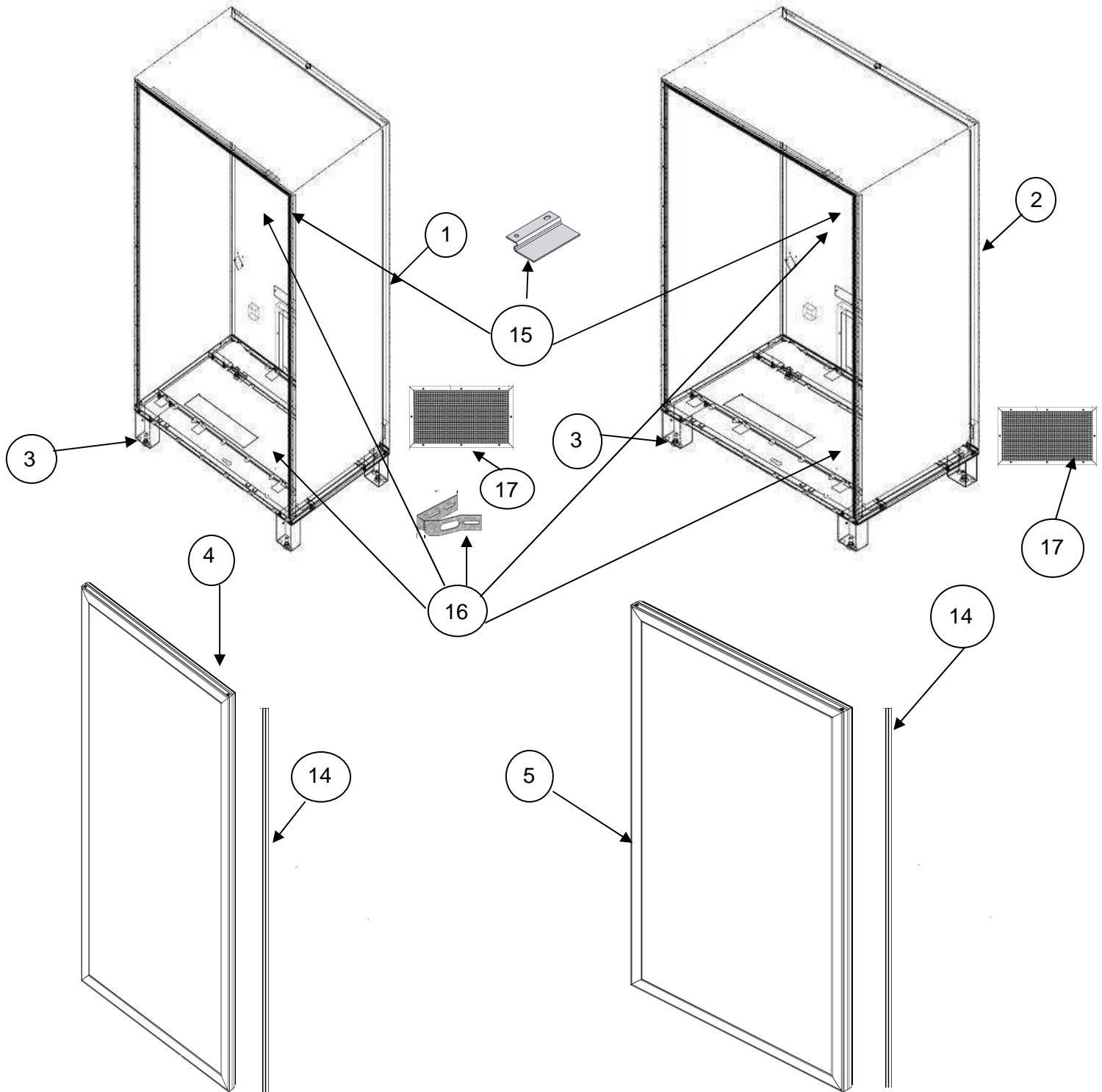
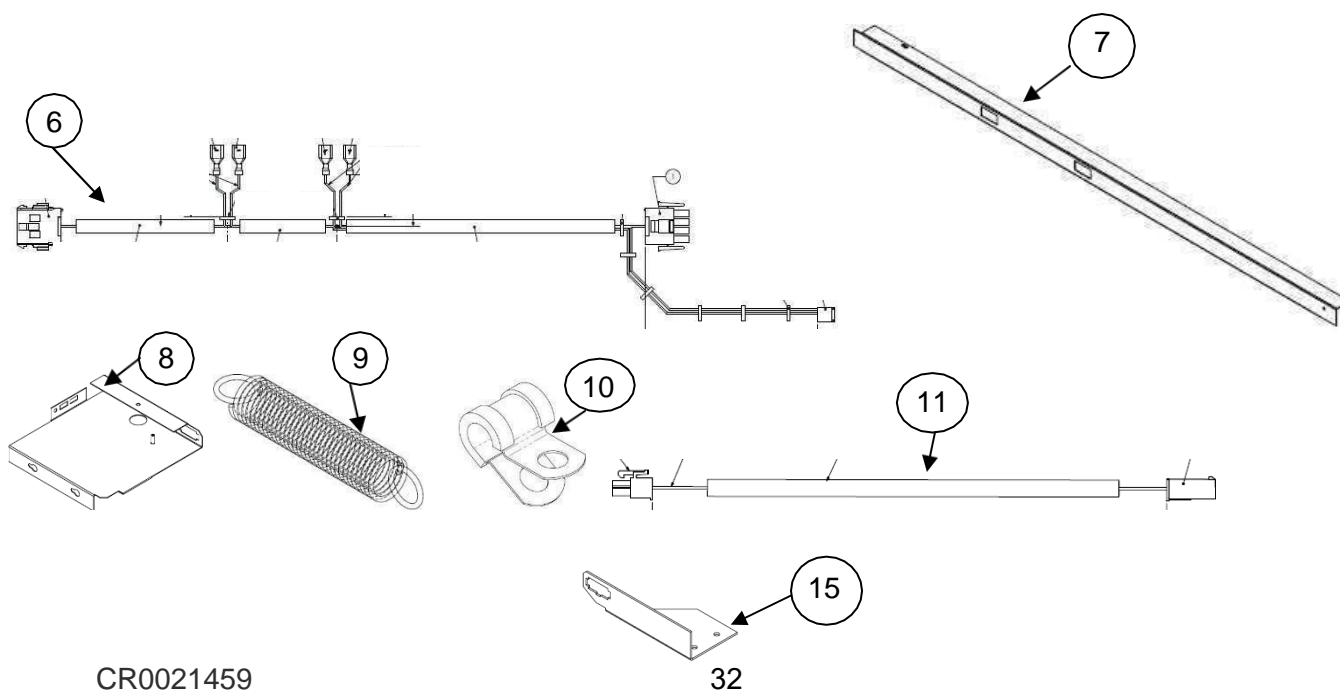


FIGURE 13: COMBO CABINET AND GLASS DOOR ASSEMBLY

TABLE 13: COMBO CABINET AND GLASS DOOR ASSEMBLY

ITEM	PART NUMBER		DESCRIPTION	QTY
	471	472		
1	CR0018915	-----	ASSY,SHELL FOAM 4W "T"BLACK	1
2	-----	CR0018830	ASSY, SHELL FOAM 6W "T"BLK	1
3	CR0008430	CR0008430	LEG ASSY, COMP 6" PAINTED	4
4	CR0013833	-----	ASSY, 4W GLASS DOOR CMB	1
4	CR0019904	-----	ASSY, 4W GLASS DR, 115V HTD	1
5	-----	CR0013834	ASSY, 6W GLASS DOOR CMB	1
5	-----	CR0019753	ASSY, 6W GLASS DR, 115V HTD	1
6	CR0021025	CR0021025	HARNESS, DR PWR INTRRPT DOM	1
7	CR0021069	CR0021028	BRKT,HTD DOOR HARN MEDIA	1
8	CR0021068	CR0021068	ASSY, HTD DOOR SPRNG BKT MG	1
9	CR0020864	CR0020864	SPRING, HTD DR TENSION EXT	1
10	CR0020842	CR0020842	CLAMP, STEEL WITH TPE SLEEVE .311"	1
11	80493004	80493004	HARN, EXT DC SUPPLY PWR OUT	1
12	C1401110	C1401110	SWITCH (NOT SHOWN)	1
13	C1811036	C1811036	COIN BOX (NOT SHOWN)	1
14	CR0021467	CR0021467	BRKT, VANDAL, BLK	1
15	CR0005034	CR0005034	BRACKET, PLUG, TRAY	1
16	CR0021031	CR0021031	LOCK ARM, ENCLOSED MEDIA	2
17	CR0004545	CR0004545	ASSY, SCREEN EGRESS	1
18	P4710839	P4720570	BASE PLATE & ACCYS ASM (OPTION)	1
	C4499011	C4499011	CHANNEL HARNESS (not shown)	1



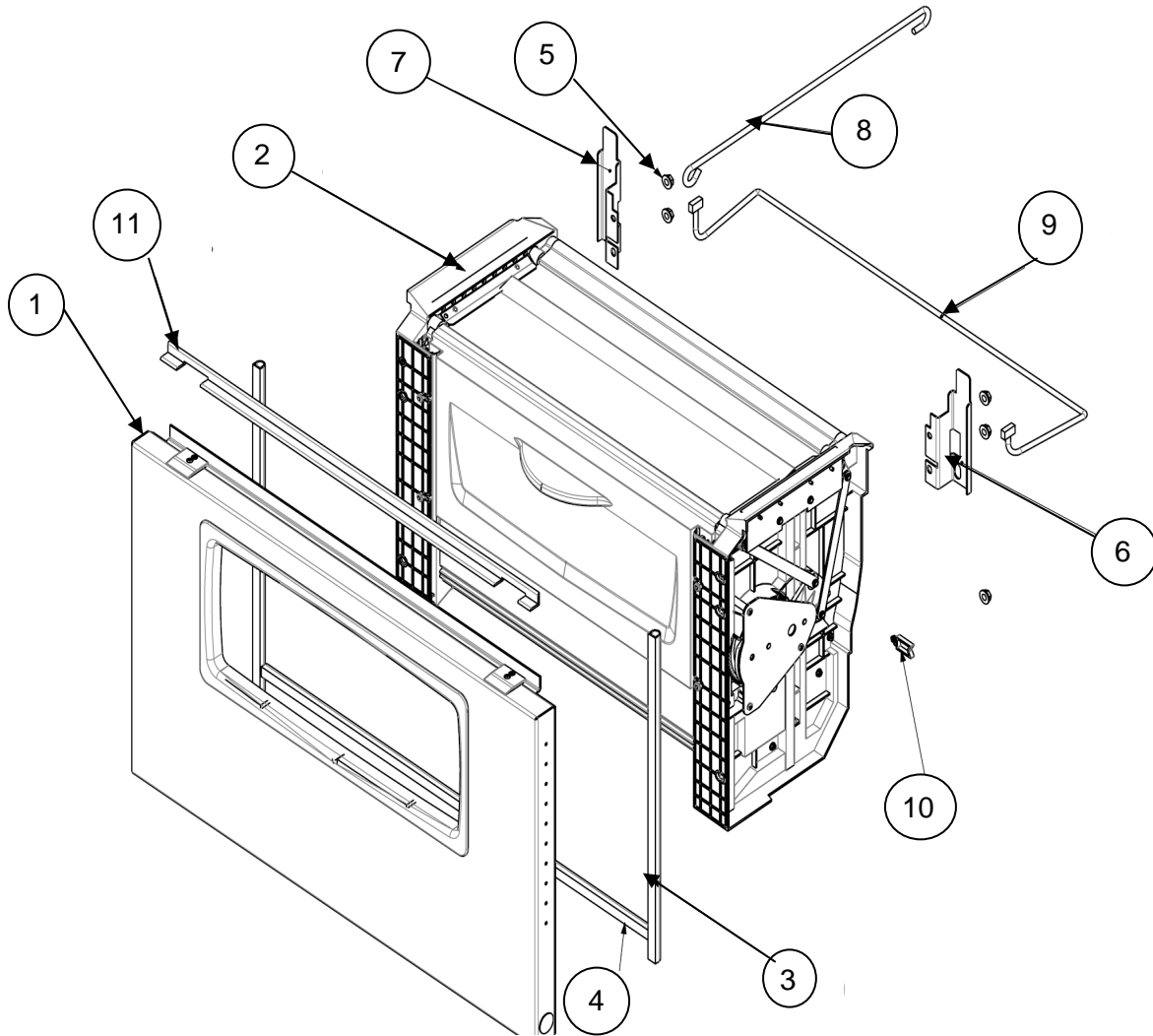


FIGURE 14: BIN & PANEL ASM COMBO 4W (PCR0014178)

TABLE 14: BIN & PANEL ASM COMBO 4W

ITEM	PART NUMBER	DESCRIPTION	QTY
1	PCR0021209	HEATED PANEL ASM, 4W CMB	1
2	CR0013478	DEL BIN ASSY COMMON 4W	1
3	CR0029066	GASKET, D,DEL BIN SIDE	2
4	CR0028767	GASKET, 4W DEL BIN/BOTTOM D	1
5	C1211105	NUT, 1/4-20 WHIZ-LOCK	6
6	CR0014242	LATCH BRACKET-BIN CMB R	1
7	CR0014248	LATCH BRACKET-BIN CMB L	1
8	CR0014142	ROD, STOP,DELIVERY BIN	1
9	CR0017897	HARNESS, EMITTER TO DETECTOR	1
10	CR0006162	WIRE SADDLE, WSBH-3-01	1
11	CR0020593	BIN DOOR SEAL, 4W ADA CMB	1
12	CR0020911	HARN, BIN HEATER ADA 4W 15WATT (NOT SHOWN)	1
13	C4727069	GASKET, .19X.38 (100 ft/roll)(NOT SHOWN)	*

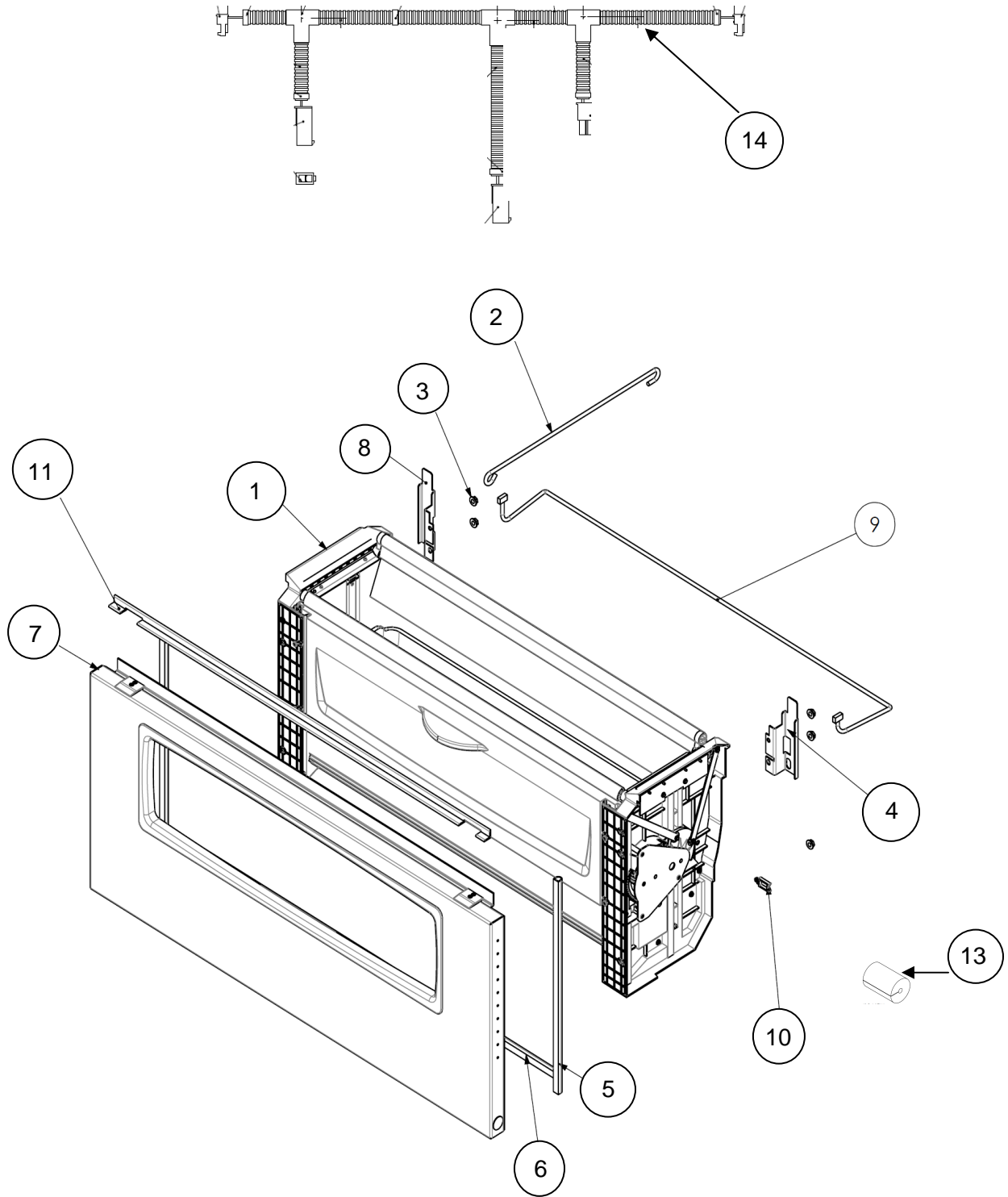


FIGURE 15: BIN & PANEL ASM COMBO 6W(PCR0012686)

TABLE 15: BIN & PANEL ASM COMBO 6W

ITEM	PART NUMBER	DESCRIPTION	QTY
1	CR0013428	DEL BIN ASSY COMMON 6W	1
2	CR0014142	ROD, STOP, DELIVERY BIN	1
3	C1211105	NUT, 1/4-20 WHIZ-LOCK	6
4	CR0014242	LATCH BRACKET-BIN CMB R	1
5	CR0029066	GASKET, D, DEL BIN SIDE	2
6	CR0028766	GASKET, 6W DEL BIN/BOTTOM D	1
7	CR0021208	HEATED PANEL ASM, 6W CMB	1
8	CR0014248	LATCH BRACKET-BIN CMB L	1
9	CR0017897	HARNESS, EMITTER TO DETECTOR	1
10	CR0006162	WIRE SADDLE, WSBH-3-01	1
11	CR0020590	BIN DOOR SEAL, 6W ADA CMB	1
12	CR0021044	HARNESS, BIN HTR ADA 6W 15W (NOT SHOWN)	1
13	CR0020895	SEAL, SUREVEND WIRE OPENING	1
14	CR0028207	HARNESS, SUREVEND & FAN POWER	1

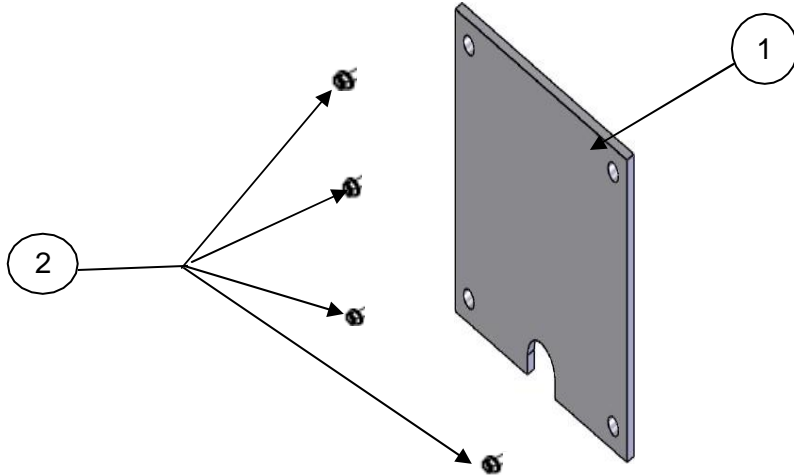


FIGURE 16: COVER, CORD

TABLE 16: COVER, CORD			
ITEM	PART NUMBER	DESCRIPTION	QTY
1	CR0014835	COVER, CORD	1
2	4741050	SCREW,#8-32X.50 HX.HD.-T/F-BLK	4

THIS PAGE INTENTIONALLY LEFT BLANK

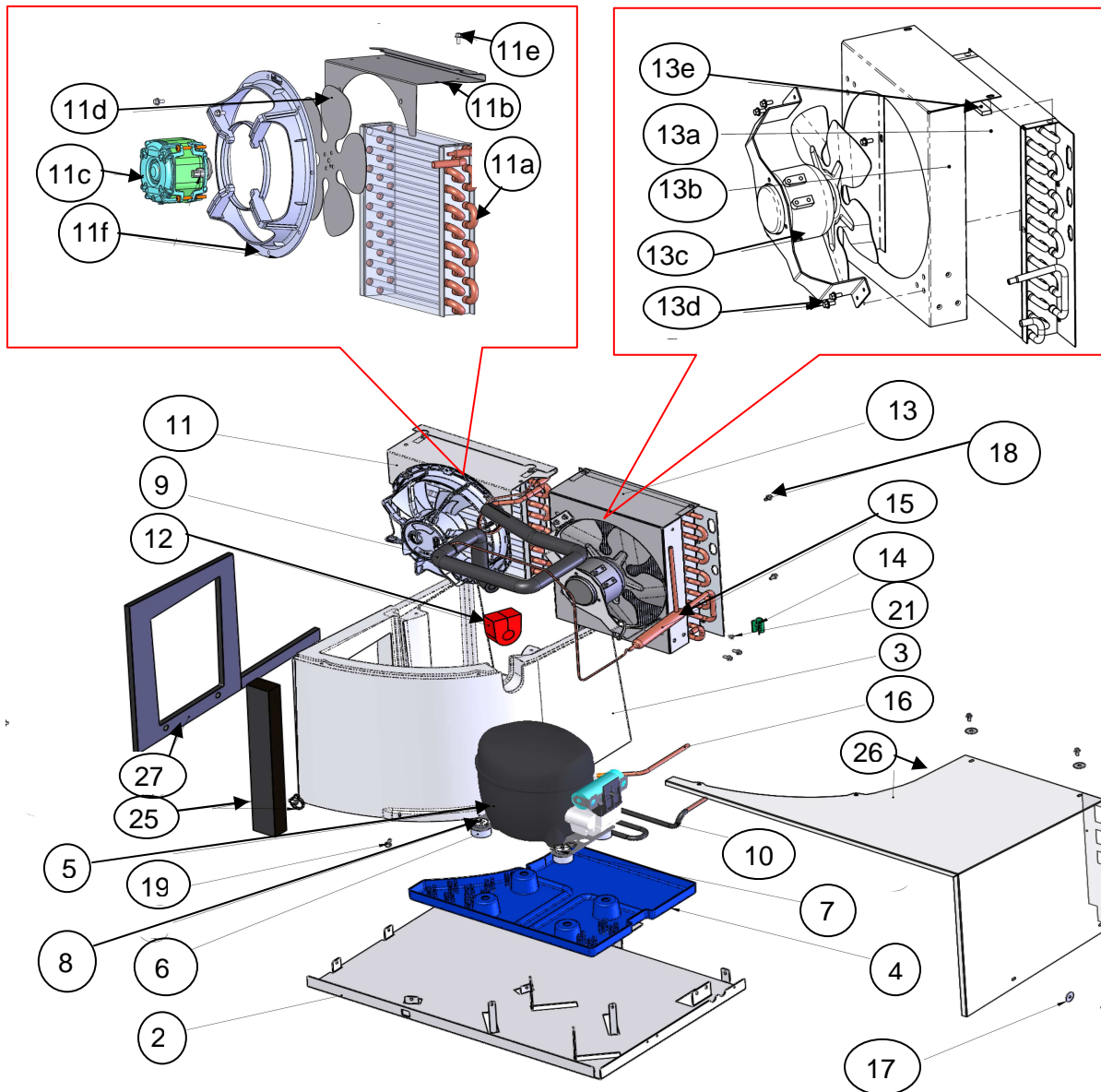


FIGURE 17: REFRIGERATION UNIT ASSEMBLY – 120VAC 4W (471)

TABLE 17: REFRIGERATION UNIT ASSEMBLY-120VAC (471)

ITEM	PART NUMBER	DESCRIPTION	QTY
1	CR0004431	A,REFR DECK,115V60HZR134A,RM	1
2	CR0005277	TRAY, REFR UNIT	1
3	CR0005267	ASSY, EVAP BOX, MOLDED	1
4	CR0002072	PAN,R, CONDENSATE W/WICKS	1
5	CR0005297	COMP,A,FFU100HAK HST 115V R134	1
6	90200057	GROMMET,R, COMPRESSOR (Part of item 5)	4
7	90180391	PLUG,R, COMPRESSOR GROMMET (Part of item 5)	4
8	90090188	CLIP,R, RETAINER COMPRESSOR (Part of item 5)	4
9	CR0005304	A, HEAT EXCHANGE FORMED DOM	1
10	65704081	A, TUBE, CONDENSATE LOOP	1
11	CR0010938	ASSY, EVAP COIL AND FAN	1
11a	CR0004375	EVAPORATOR, 3R X 8 X 9	1
11b	CR0005301	SHROUD,FAN	1
11c	CR0022409	MOTOR, EVAPORATR ECPLUS 115V	1
11d	80030438	SCRW,R,8-32x3/8 TYPE1 HXWSHR	4
12	CR0005265	GROMMET, EVAP BOX SEAL	1
13	CR0004465	A,CONDNSR 2x8x9 EM&S 120V9W	1
13a	CR0004376	CONDENSER, 3R X 8 X 11	1
13b	CR0004466	SHROUD, COND FAN 8" FACE	1
13c	CR0004747	A,CONDNSR FAN MOTOR,STRAP	1
13d	80030438	SCRW,R,8-32x3/8 TYPE1 HXWSHR	6
13e	80360124	TAPE,R,FM CLOSED CELL .187X.50	8
14	CR0005716	CLIP, SPRING 5/16-1/4 COUPLE	1
15	80240129	DRYER,R,.054 EXTND OUTLT R134a	1
16	63505019	A, TUBE PROCESS 6.75IN	1
17	C6138181	WASHER, PLATE SS	4
18	80030438	SCRW,R,8-32x3/8 TYPE1 HXWSHR	9
19	80030541	SCREW,R, #10 X .750 TEK ZINC	4
20	C4119013	PROBE, TEMP SENSOR (NOT SHOWN)	3
21	D80030434001	SCRW,R,8-32x¼ PHL PAN SWGFRM	1
22	4499001	HARNESS, TEMP SENSORS (NOT SHOWN)	1
23	CR0023604	HARNESS, FAN EXTENSION (NOT SHOWN)	1
24	CR0023603	HARNESS, COMPRESSOR EXT (NOT SHOWN)	1
25	CR0006166	GASKET, 1.75 X 1.181 SOFT	1
26	CR0005563	DUCT, CONDENSER EXIT 3R	1
27	CR0005370	GASKET SET, REFR UNIT	1

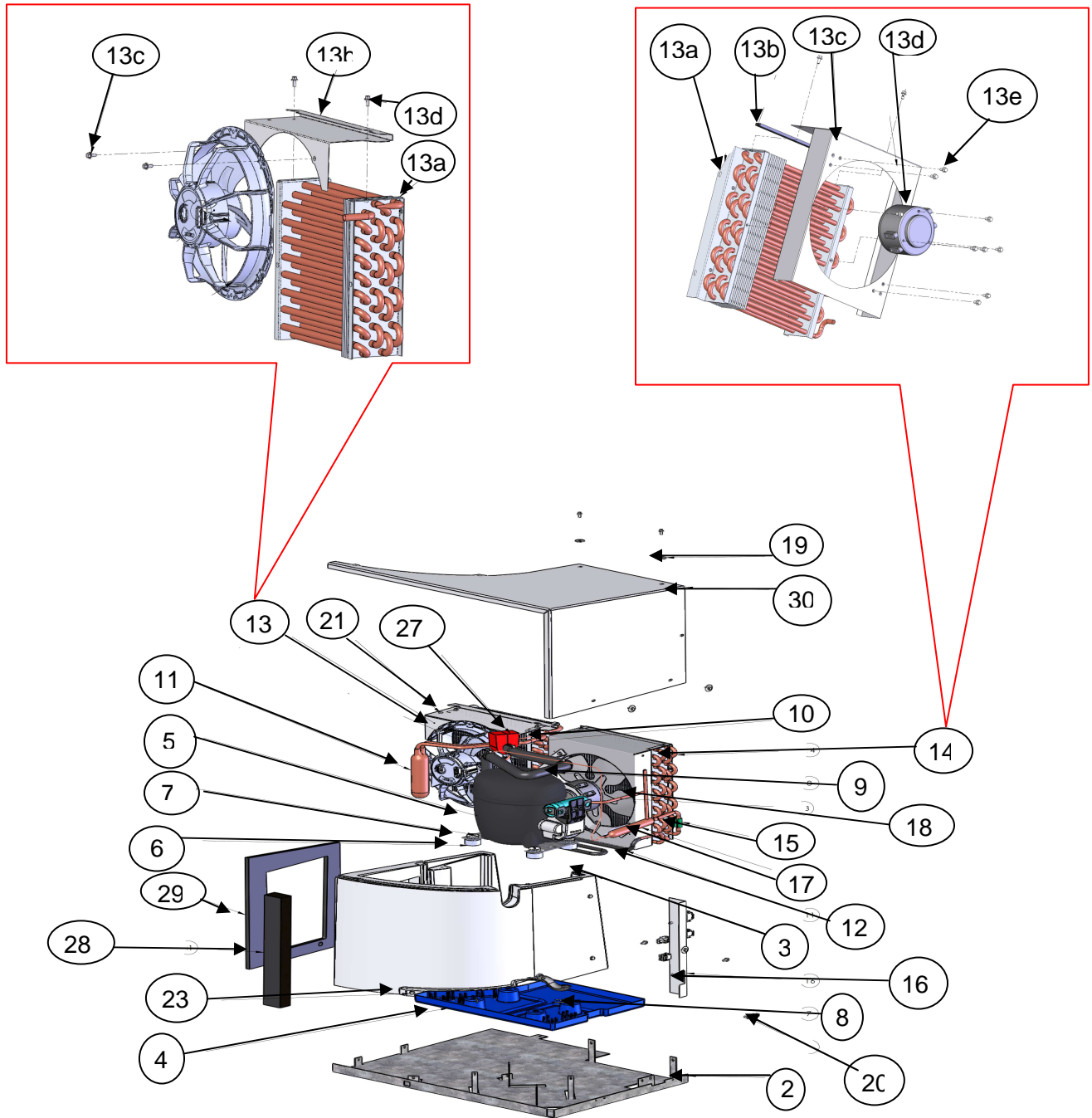


FIGURE 18: REFRIGERATION UNIT ASSEMBLY – 120VAC 6W (472)

TABLE 18: REFRIGERATION UNIT ASSEMBLY-120VAC (472)

ITEM	PART NUMBER	DESCRIPTION	QTY
1	CR0008293	A,REFR DECK,115V60HZR134,RMM	1
2	CR0008295	TRAY, REFR UNIT	1
3	CR0005267	ASSY, EVAP BOX, MOLDED	1
4	CR0002072	PAN,R, CONDENSATE W/WICKS	1
5	80250289	A,COMP,FFU130HAX,513200620	1
6	90200057	GROMMET,R, COMPRESSOR (Part of item 5)	4
7	90180391	PLUG,R, COMPRESSOR GROMMET (Part of item 5)	4
8	90090188	CLIP,R, RETAINER COMPRESSOR (Part of item 5)	4
9	CR0008396	A, HEAT EXCHANGE FORMED	1
10	CR0008115	TUBE, SUCTION EVAP-ACC	1
11	80240046	ACCUMULATOR,R,1.375OD x 6.00	1
12	65704081	A, TUBE, CONDENSATE LOOP	1
13	CR0010935	ASSY, EVAP COIL AND FAN EBRMM	1
13a	CR0004391	EVAPORATOR COIL	1
13b	CR0005301	SHROUD,FAN	11
13c	80030438	SCRW,R,8-32x3/8 TYPE1 HXWSHR	4
13d	CR0022409	MOTOR, EVAPORATR ECPLUS 115V	1
14	CR0005719	ASSY,CONDENSER,4R,115V60Hz	1
14a	CR0010358	CONDENSER. COIL 11 x 8 x 2.5,P	1
14b	80360124	TAPE,R,FM CLOSED CELL .187X.50	10
14c	CR0005726	SHROUD, COND FAN 8" FACE	1
14d	CR0004747	A,CONDENSER FAN MOTOR,STRAP	1
14e	80030438	SCRW,R,8-32x3/8 TYPE1 HXWSHR	11
15	CR0005716	CLIP, SPRING 5/16-1/4 COUPLE	1
16	CR0008296	BRACKET, COND EXT 4 ROW	1
17	80240129	DRYER,R,.054 EXTND OUTLT R134a	1
18	63505019	A, TUBE PROCESS 6.75IN	1
19	C6138181	WASHER, PLATE SS	7
20	80030438	SCRW,R,8-32x3/8 TYPE1 HXWSHR	8
21	80030454	SCREW,R, HEX HD,10-16,.50 LG	4
22	80030541	SCREW,R, #10 X .750 TEK ZINC	8
23	C4119013	PROBE, TEMP SENSOR (NOT SHOWN)	3
24	4499001	HARNESS-TEMP SENSOR (NOT SHOWN)	1
25	CR0023604	HARNESS, FAN EXTENSION (NOT SHOWN)	1
26	CR0023603	HARNESS, COMPRESSOR EXT (NOT SHOWN)	1
27	CR0005265	GROMMET, EVAP BOX SEAL	1
28	CR0006166	GASKET, 1.75 X 1.181 SOFT	1
29	CR0005370	GASKET SET, REFR UNIT	1
30	CR0008335	DUCT, CONDENSER EXIT 4R	1

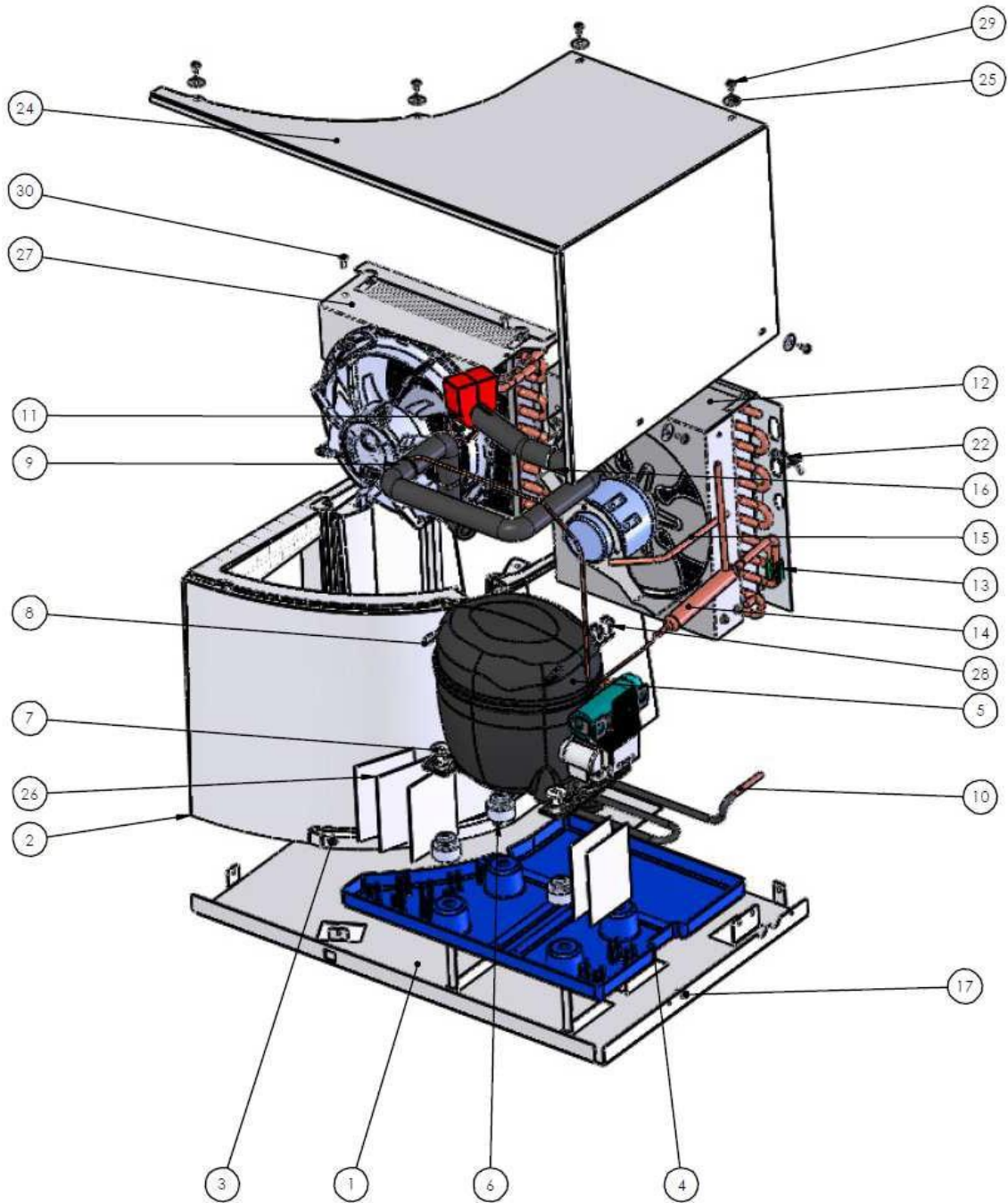


FIGURE 19: REFRIGERATION UNIT ASSEMBLY – 230VAC 4W (471,472)

TABLE 19: REFRIGERATION UNIT ASSEMBLY–230VAC (471,472)

ITEM	PART NUMBER	DESCRIPTION	QTY
*	CR0006230	A,REFR DECK,230V50HZR134A,RM	1
1	CR0005277	TRAY, REFR UNIT	1
2	CR0005267	ASSY, EVAP BOX, MOLDED	1
3	80030541	SCREW,R, #10 X .750 TEK ZINC	4
4	CR0002072	PAN,R, CONDENSATE W/WICKS	1
5	CR0005298	COMP,A,FFU130HAXHST,220R134	1
5a	CR0005485	COMP,FFU130HAXHST,220V,R134	1
5b	CR0006236	COVER, ELECTRICAL COMP, INT	1
5c	80240217	BRACKET, CAPACTR FFU130HAX	1
5d	CR0006234	CAPCTR START,A,FFU130HAX220	1
5e	CR0005487	RELAY,COMPSTRT,FFU130HAX230	1
5f	CR0005489	CORD, RELIEF FFU130HAX 230V	1
5g	CR0005718	OVERLD,COMPRSR FFU130HAX230	1
6	90200057	GROMMET,R, COMPRESSOR	4
7	90180391	PLUG,R, COMPRESSOR GROMMET	4
8	90090188	CLIP,R, RETAINER COMPRESSOR	4
9	CR0005304	A, HEAT EXCHANGE FORMED	1
10	65704081	A, TUBE, CONDENSATE LOOP	1
11	CR0005265	GROMMET, EVAP BOX SEAL	1
12	CR0006231	A,CONDNSR 3x8x9EM&S 220V16W	1
12a	CR0004376	CONDENSER, 3R X 8 X 11	1
12b	CR0004466	SHROUD, COND FAN 8" FAC	1
12c	CR0004747	A,CONDNSR FAN MTR,STRP EXP	1
12d	CR0004177	MOTOR,A,FAN EM&S,16W 230V/50HZ	1
13	CR0005716	CLIP, SPRING 5/16-1/4 COUPL	1
14	80240129	DRYER,R,.054 EXTND OUTLT R134a	1
15	63505019	A, TUBE PROCESS 6.75IN	1
16	90190201	TIE,R, WIRE 7 1/2" Length	5
17	80030438	SCRW,R,8-32x3/8 TYPE1 HXWSHR	5
18	C4119013	PROBE, TEMP SENSOR	3
19	4499001	HARNESS, TEMP SENSORS	1
20	CR0023604	HARNESS, FAN EXTENSION (NOT SHOWN)	1
21	CR0023603	HARNESS, COMPRESSOR EXT (NOT SHOWN)	1
22	DW223	WIRE TIE,R, TWIST,.56-.60 ID	1
24	CR0005563	DUCT, CONDENSER EXIT 3R	1
25	C6138181	WASHER, PLATE SS	7
26	D90580069051	SOAKER,R,FIBERGLASS CONDENSATE	6
27	CR0006232	A, EVAP COIL FAN SHROUD EXP	1
27a	CR0004375	EVAPORATOR, 3R X 8 X 9	1
27b	CR0005301	SHROUD,FAN 9X8X3.7,8in-RM WLN	1
27c	CR0004783	FAN,A, EBM 1900 RPM 230/50	1
28	90460136	TERMINL,R,ARKLESS90deg QCKCNCT	2
29	80030454	SCREW,R, HEX HD,10-16,.50 LG	9
30	80030431	SCRW,R,8-18x½ PHILPN AB MACH	2

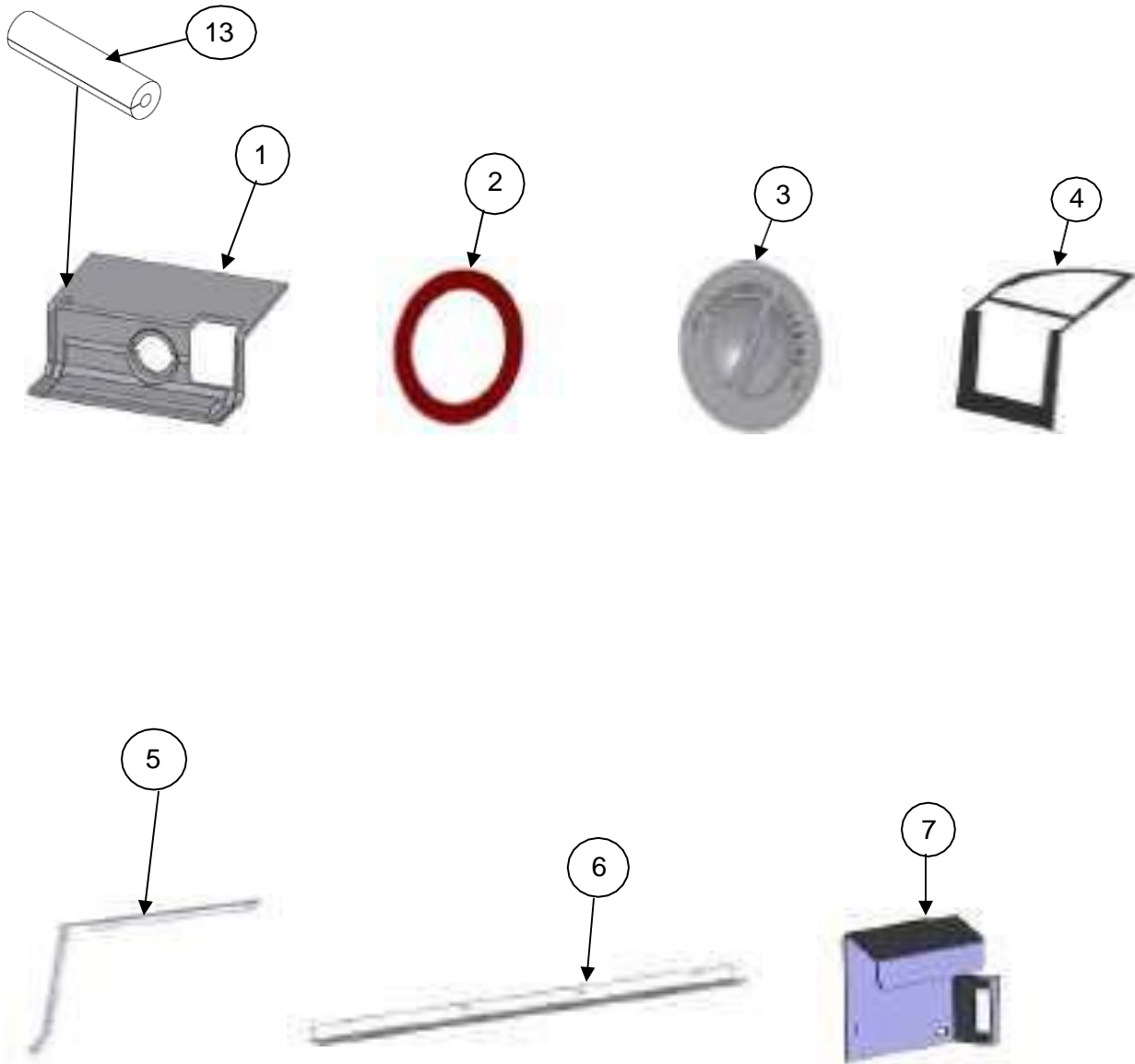


FIGURE 20: COMBO ADA BIN BARRIER

TABLE 20: COMBO ADA BIN BARRIER

ITEM	PART NUMBER		DESCRIPTION	QTY
	471 (4W)	472(6W)		
1	CR0019052	CR0019051	ASSY, HORIZ BARRIER	1
2	CR0005406	CR0005406	SEAL,RUBBER ACCESS PANEL	1
3	CR0014216	CR0014216	CAP, COND CLEANING	1
4	CR0025320	CR0025320	GASKET, EVAP BOX	1
5	CR0014210	CR0014210	SUPPORT, LH BARRIER	1
6	CR0014061	CR0013898	BRACKET, BARRIER	1
7	CR0014298	CR0014298	PLATE, DEFLECTOR LEFT	1
8	CR0006162	CR0006162	WIRE SADDLE, WSBH-3-01 (NOT SHOWN)	2
9	CR0025319	CR0025319	GASKET, REAR CAB	1
10	CR0025322	CR0025322	GASKET, INSUL BARR CHANNEL(NOT SHOWN)	2
11	D19609043	D19609043	RIVET,R, BULBEX 3/16 (NOT SHOWN)	9
12	CR0007533	CR0007533	SCREW,10-24X3/8F HEX SL BLK(NOT SHOWN)	2
13	CR0020894	CR0020894	SEAL,REF PWR MB WIRE OPNNG RM	1

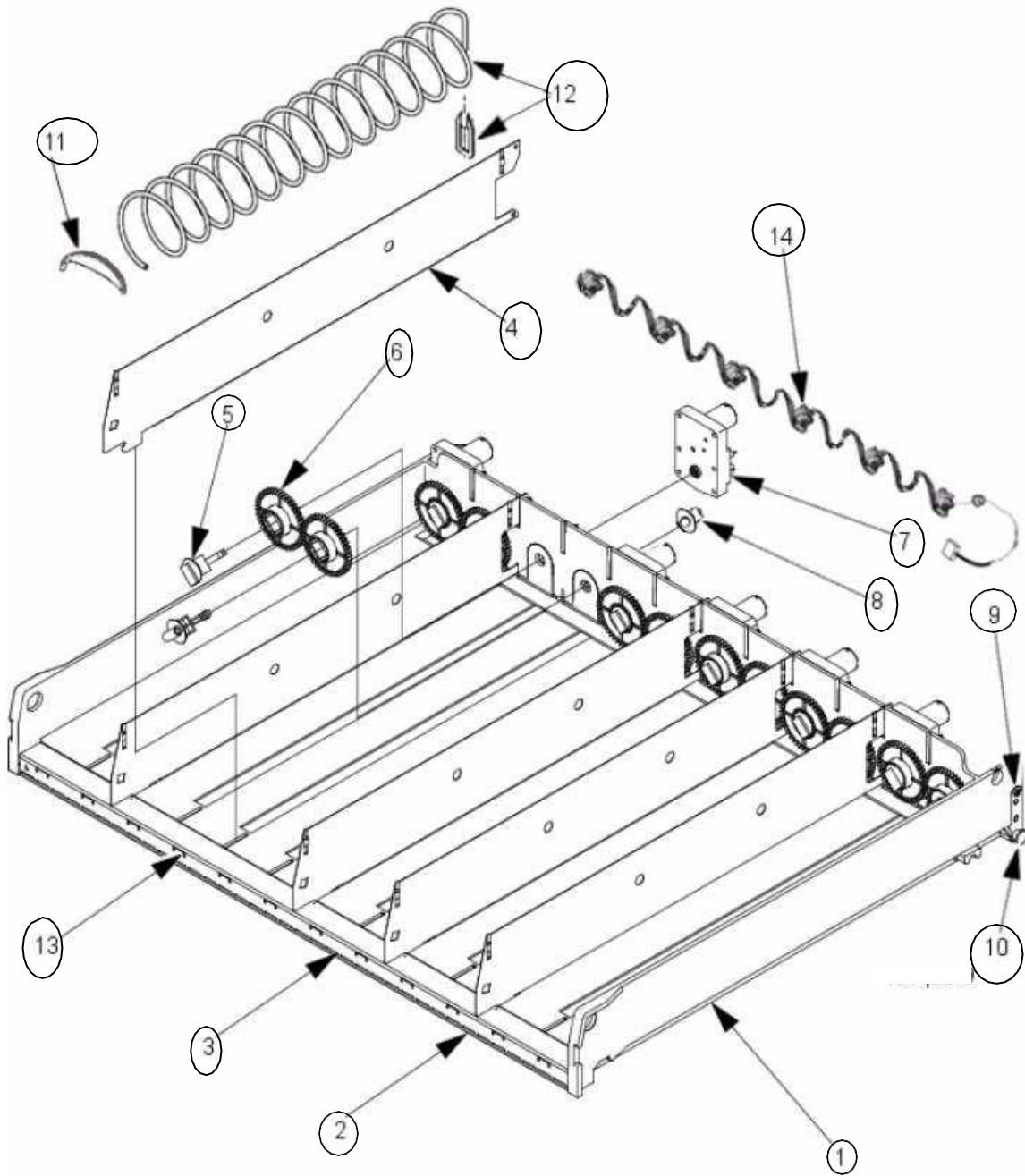


FIGURE 21: SNACK TRAY

TABLE 21: SNACK TRAY

ITEM	186	187	DESCRIPTION	186	187
*	C1807000	C1817000	TRAY-SNACK ASSEMBLY(NO SPIRALS)	----	----
1	1807022	CR0007114	MOLDED TRAY & AXLE ASM	----	----
	1807003	1817003	MOLDED TRAY ONLY-26.84 DEEP	----	----
2	1807004	C1817058	RAIL-PRICE SEL	1	1
3	1807005	C1817005	HOLDR,PRICE ROLL	1	1
4	C1477125	C1477125	WALL-TRAY	3	5
5	C1477113	C1477113	COUPLING-SPIRAL	8	12
6	C1477020	C1477020	GEAR, TRAY	8	12
7	C1477112	C1477112	MOTOR & PC BOARD ASSEMBLY	4	6
8	C1477022	C1477022	BEARING-COUPLER	4	6
9	1817033	1817033	STRAP, SUPPORT AXLE STOP	2	2
10	C1817034	C1817034	AXLE-TRAY	2	2
11	C1677049	C1677049	PUSHER-PRODUCT	----	----
12	----	----	SEE SPIRAL TABLE 25 ON PAGE 54	----	----
13	----	----	ITEM LABELS & PRICE ROLLS ON PAGE 47	----	----
14	CR0010952	CR0010942	HARNESS-MTR-SHORT	1	1

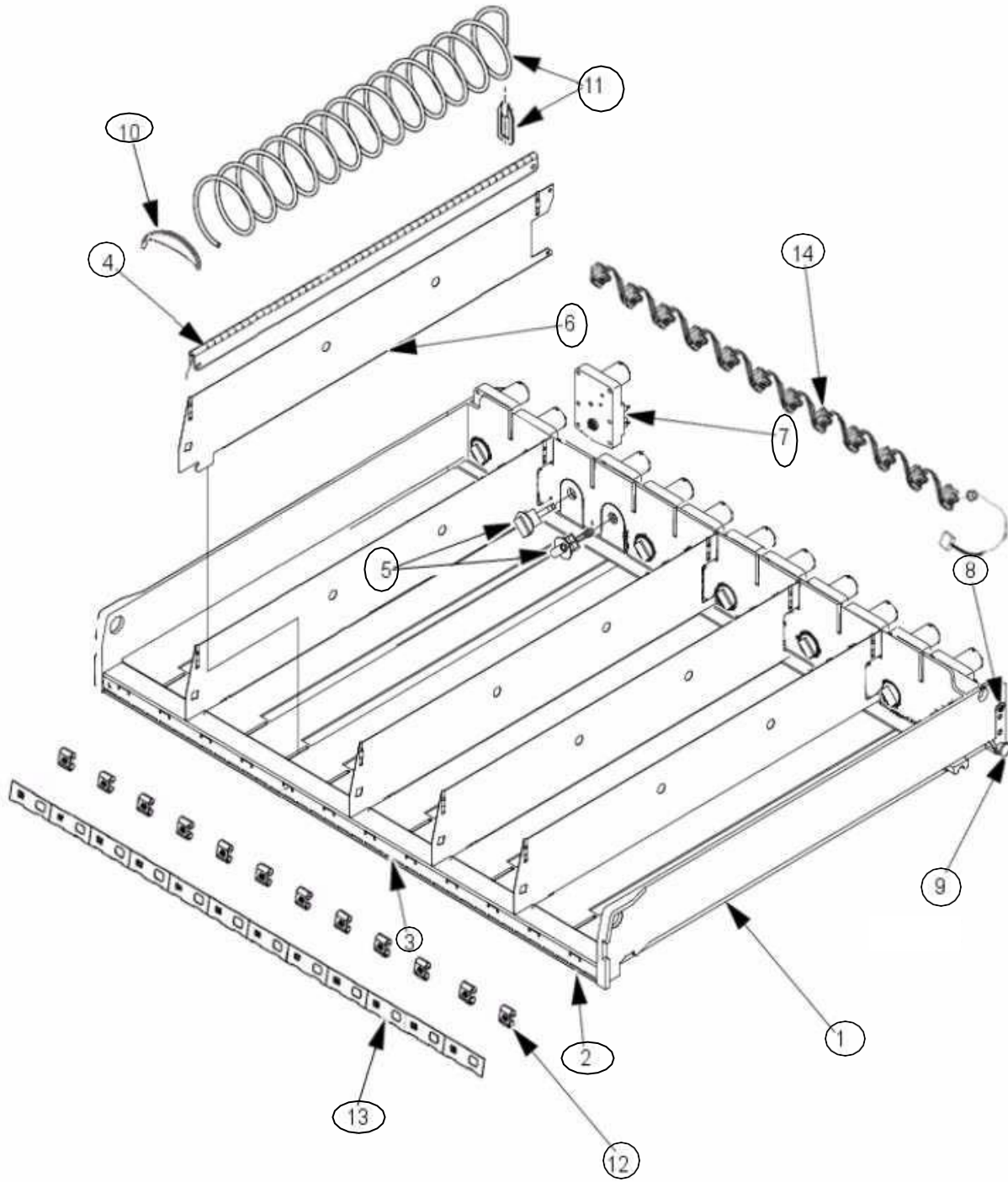


FIGURE 22: CANDY TRAY

TABLE 22: CANDY TRAY

ITEM	186	187	DESCRIPTION	186	187
*	P1807001	P1817001	TRAY-CANDY ASSEMBLY(NO SPIRALS)	----	----
1	1807022	CR0007114	MOLDED TRAY & AXLE ASM	----	----
	1807003	1817003	MOLDED TRAY ONLY-26.84 DEEP	----	----
2	1807004	1817058	RAIL-PRICE SEL	1	1
3	1807005	1817005	HOLDR,PRICE ROLL	1	1
4	1677193	1677193	SPACER-ADJUSTABLE	2	2
5	1477113	1477113	COUPLING-SPIRAL	8	12
6	1477175	1477175	WALL-TRAY	7	11
7	1577038	1577038	MOTOR & PC BOARD ASSEMBLY	4	6
8	1817033	1817033	STRAP, SUPPORT AXLE STOP	2	2
9	1817034	1817034	AXLE-TRAY	2	2
10	1477074	1477074	PUSHER-PRODUCT	----	----
11	----	----	SEE SPIRAL TABLE 25 ON PAGE 54	----	----
12	AP17400153	AP17400153	ROLL-PRICE LABEL SELF-COILING,\$.40 - \$2.40	OPT	OPT
	80388674	80388674	ROLL-PRICE LABEL SELF-COILING,\$2.40-\$4.35	OPT	OPT
	1477014	1477014	ROLL, PRICE CENTS		
	1477015	1477015	ROLL, PRICE DOLLARS		
	AP17400185	AP17400185	ROLL-PRICE LABEL SELF-COILING-UK		
	AP17400186	AP17400186	ROLL-PRICE LABEL SELF-COILING-AUS		
	AP17400188	AP17400188	ROLL-PRICE LABEL SELF-COILING-MEX		
13	1817041	1817041	LABEL, ITEM NUMBERS-100's	1	1
	1817042	1817042	LABEL, ITEM NUMBERS-200's	1	1
	1817043	1817043	LABEL, ITEM NUMBERS-300's	1	1
	1817044	1817044	LABEL, ITEM NUMBERS-400's	1	1
	1817045	1817045	LABEL, ITEM NUMBERS-500's	1	1
	1817046	1817046	LABEL, ITEM NUMBERS-600's	1	1
	1817047	1817047	LABEL, ITEM NUMBERS-700's	1	1
14	CR0011005	CR0010832	HARNESS-MTR TRAY SHORT	1	1

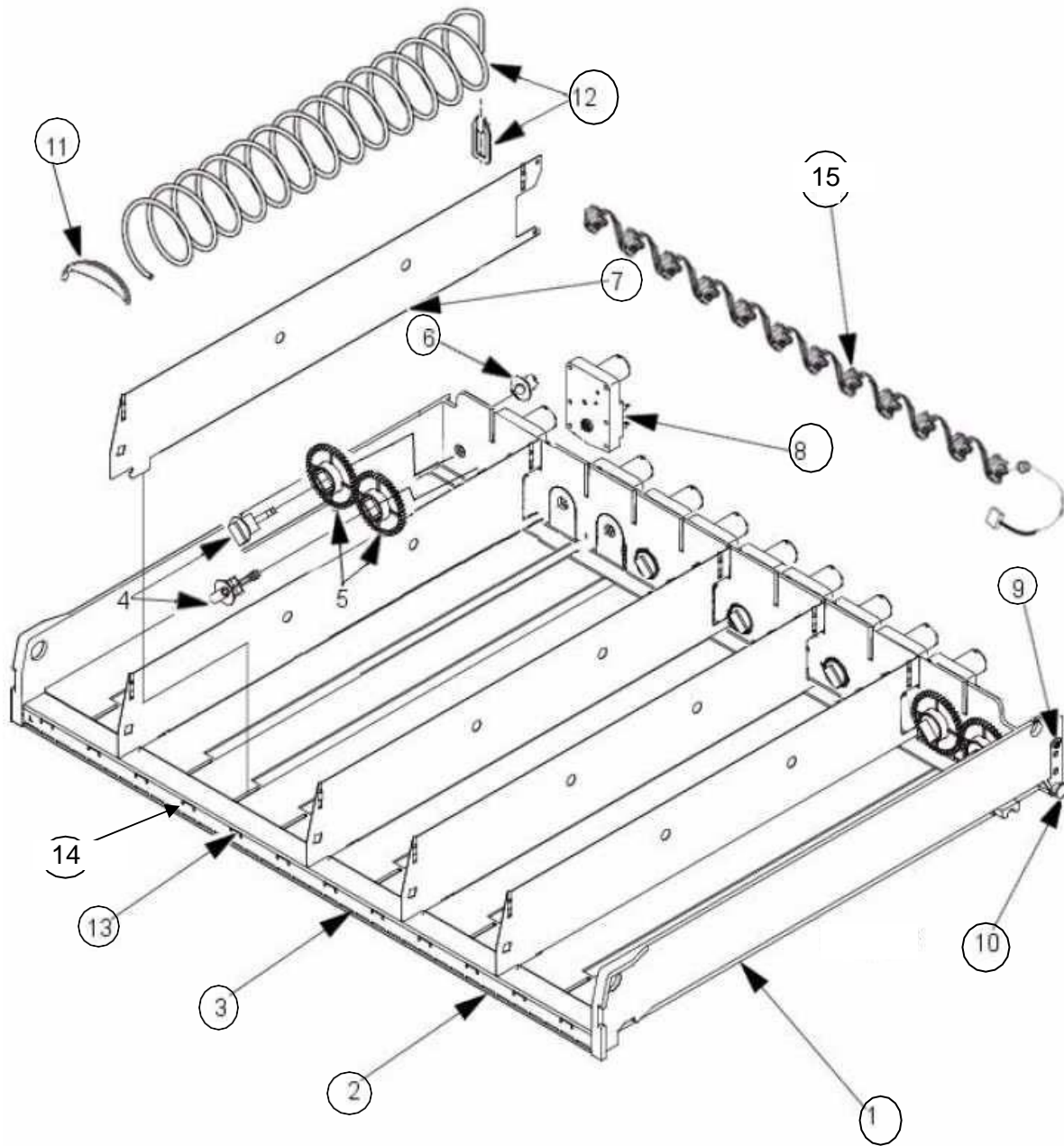


FIGURE 23: SQUAT TRAY

TABLE 23: SQUAT TRAY

ITEM	186	187	DESCRIPTION	186	187
*	1807002	1817002	TRAY-SQUAT ASSEMBLY (NO SPIRALS)	----	----
1	1807022	CR0007114	MOLDED TRAY & AXLE ASM	----	----
	1807003	1817003	MOLDED TRAY ONLY-26.84 DEEP	----	----
2	1807004	C1817058	RAIL-PRICE SEL	1	1
3	1807005	C1817005	HOLDR,PRICE ROLL	1	1
4	C1477113	C1477113	COUPLING-SPIRAL	8	12
5	C1477020	C1477020	GEAR, TRAY	4	4
6	C1477022	C1477022	BEARING-COUPLER	2	2
7	C1817011	C1817011	WALL-TRAY-G&M	5	9
8	C1477112	C1477112	MOTOR & PC BOARD ASSEMBLY	6	6
9	1817033	1817033	STRAP, SUPPORT AXLE STOP	2	2
10	C1817034	C1817034	AXLE-TRAY	2	2
11	C1677049	C1677049	PUSHER-PRODUCT	----	----
12			SEE SPIRAL TABLE 25 ON PAGE 54		
13	A17400153	A17400153	ROLL-PRICE LABEL SELF-COILING,\$.40 - \$2.40	OP	OPT
	80388674	80388674	ROLL-PRICE LABEL SELF-COILING,\$2.40-\$4.35	OP	OPT
	C1477014	C1477014	PRICE ROLL 0 TO 95 BLACK		
	C1477015	C1477015	ROLL, PRICE DOLLARS		
	A17400185	A17400185	ROLL-PRICE LABEL SELF-COILING-UK		
	A17400186	A17400186	ROLL-PRICE LABEL SELF-COILING-AUS		
	A17400188	A17400188	ROLL-PRICE LABEL SELF-COILING-MEX		
14	CR0004697	CR0004697	LABEL, ITEM NUMBERS-100's	1	1
	CR0005270	CR0005270	LABEL, ITEM NUMBERS-200's	1	1
	CR0005271	CR0005271	LABEL, ITEM NUMBERS-300's	1	1
	CR0005272	CR0005272	LABEL, ITEM NUMBERS-400's	1	1
	CR0005273	CR0005273	LABEL, ITEM NUMBERS-500's	1	1
	CR0005274	CR0005274	LABEL, ITEM NUMBERS-600's	1	1
	CR0005275	CR0005275	LABEL, ITEM NUMBERS-700's	1	1
15	CR0011005	CR0010832	HARNESS-MTR TRAY SHORT	1	1

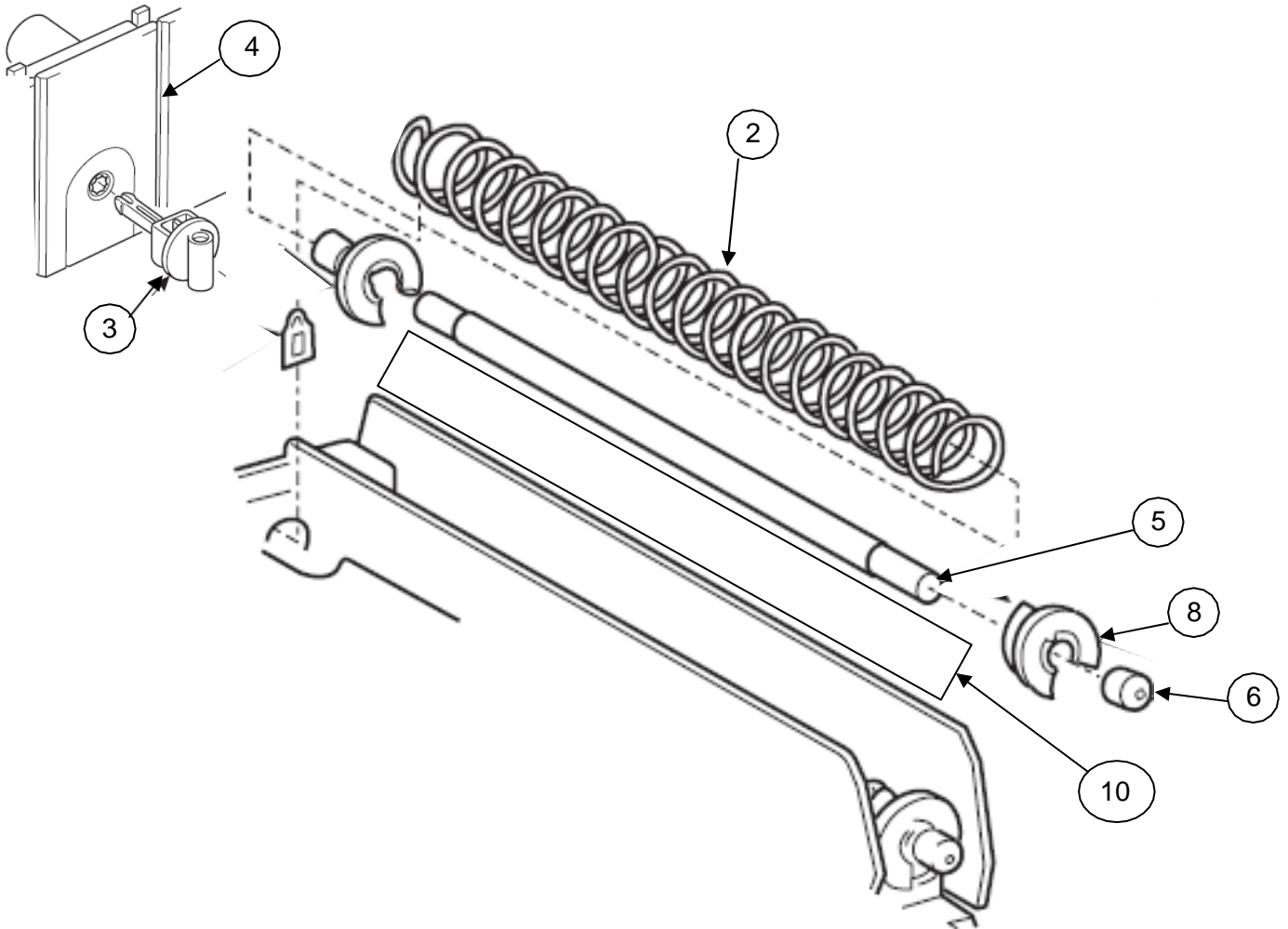


FIGURE 24: HALF CYCLE GUM & MINT SPIRAL ASSEMBLY

TABLE 24: HALF CYCLE GUM & MINT SPIRAL ASSEMBLY			
ITEM	PART NUMBER	DESCRIPTION	QTY
*	1817040	KIT-PAIR-MERCH G&M SPIRALS-CONTAINS OF KIT BELOW	1
1	C1477041	WHT LH 20 CT SP & RETNR ASSEMBLY (NOT SHOWN)	1
2	C1477044	WHT RH 20 CT SP & RETNR ASSEMBLY	1
3	C1477113	COUPLING-SPIRAL	2
4	C1477114	MOTOR & PCB ASSEMBLY	2
5	C1677004	SPIRAL INSERT ASSY-BLACK	2
6	C1677005	CAP-SPIRAL INSERT-BLACK	4
7	1817020	DISK-G&M INSERT-L/H (NOT SHOWN)	2
8	1817021	DISK-G&M INSERT-R/H	2
9	1817039	INSTR-INSTALL-MERCH G&M	1
10	CR0008153	SLIDE, CANDY TRAY	2

THIS PAGE INTENTIONALLY LEFT BLANK

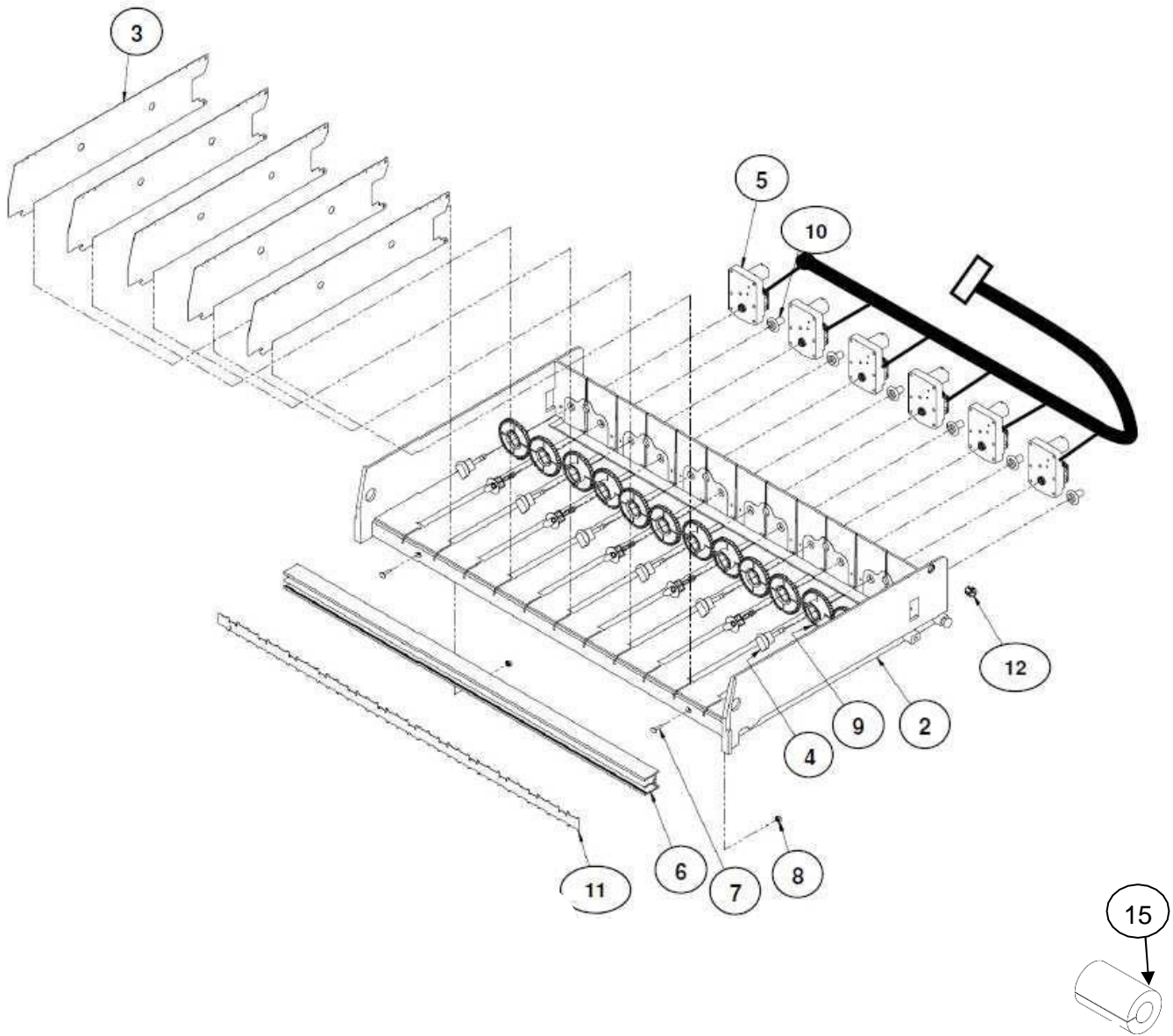


FIGURE 25: SNACK AND CANDY TRAY ASSEMBLY COMBO

TABLE 25: SNACK AND CANDY TRAY ASSEMBLY COMBO					
ITEM	471	472	DESCRIPTION	471	472
1	CR0029193	CR0029191	SNACK TRAY ASSEMBLY(NO SPIRALS)	----	----
	CR0029190	CR0029192	CANDY TRAY ASSEMBLY(NO SPIRALS)	----	----
2	CR0010650	CR0014533	ASSY, TRAY W/ROLLERS	1	1
----	C1477097	C1477097	AXLE-TRAY ROLLER – PART OF #2	2	2
----	C1477010	C1477010	ROLLER-TRAY – PART OF #2	2	2
----	CR0010650	CR0014533	TRAY	1	1
3	C1707062	C1707062	WALL-TRAY	---	----
4	C1477113	C1477113	COUPLING-SPIRAL	---	----
5	C1477112	C1477112	MOTOR & PC BOARD ASSEMBLY	4/8	6/12
NOTE: ITEM 6 BELOW USED BEFORE JUNE 2017					
6	1687017	CR0004222	HOLDER, PRICE & SELECTION	1	1
NOTE: ITEM 6A BELOW USED AFTER JUNE 2017					
6A	CR0026334	CR0026160	RAIL, PRICE SNACK CMB	1	1
7	C2222031	C2222031	TEE BOLT, TRIM	2	2
8	C6333020	C6333020	NUT, #8-32 KEPS ZINC PLATE	----	----
9	C1477020	C1477020	GEAR, TRAY	8	12
10	C1477022	C1477022	BEARING-COUPLER	8	12
11	1687017	CR0004222	HOLDER, PRICE & SELECTION	1	1
12	C9989821	C9989821	BUSHING, 0.512 DIAMETER	1	1
13	C4499024	----	HARNESS, 4 MOTOR COMBO	1	----
	C4499025	----	HARNESS, 8 MOTOR COMBO	1	----
	----	C4499022	HARNESS, 6 MOTOR COMBO	----	1
		C4499023	HARNESS, 12 MOTOR COMBO	----	1
NOTE: ITEM 14 BELOW USED BEFORE JUNE 2017					
14	CR0004697	CR0004697	LABEL, ITEM #'s-100's	1	1
	CR0005270	CR0005270	LABEL, ITEM #'s-200's	1	1
	CR0005271	CR0005271	LABEL, ITEM #'s-300's	1	1
	CR0005272	CR0005272	LABEL, ITEM #'s-400's	1	1
	CR0005273	CR0005273	LABEL, ITEM #'s-500's	1	1
	CR0005274	CR0005274	LABEL, ITEM #'s-600's	1	1
NOTE: ITEM 14A BELOW USED AFTER JUNE 2017					
14A	CR0004697	CR0004697	LABEL, ITEM NUMBERS-100's	1	1
	CR0005270	CR0005270	LABEL, ITEM NUMBERS-200's	1	1
	CR0005271	CR0005271	LABEL, ITEM NUMBERS-300's	1	1
	CR0005272	CR0005272	LABEL, ITEM NUMBERS-400's	1	1
	CR0005273	CR0005273	LABEL, ITEM NUMBERS-500's	1	1
	CR0005274	CR0005274	LABEL, ITEM NUMBERS-600's	1	1
15	CR0020893	CR0020893	SEAL,TRAY HARNES WR OPNNG	1	1
			SPIRAL OPTIONS 28" DEEP MACHINE MODELS 471/472 SEE TABLE 25 ON PAGE 54		

**TABLE 26: SPIRAL OPTIONS 35" DEEP MACHINE
MODELS 186/187**

ITEM COUNT	RETAINER COLOR	L/H ASSEMBLY	R/H ASSEMBLY	RETAINER	DIMENSION BETWEEN COILS
5	ORANGE	C1677182	C1677181	C1467137	4.57"
6	PURPLE	C1477103	C1477105	C1477107	3.78"
9	GRAY	C1477152	C1477149	C1477155	2.46"
11	BLUE	C1477023	C1477026	C1457061	1.98"
13	YELLOW	C1477029	C1477032	C1457062	1.65"
15	RED	C1477035	C1477038	C1457063	1.41"
17	BROWN	C1477101	C1477098	C1477106	1.23"
20	WHITE	C1477041	C1477044	C1457064	1.02"
25	GREEN	C1477047	C1477050	C1457065	.75"
30	BLACK	C1477053	C1477056	C1477073	.60"
38	ORANGE	C1477059	C1477062	C1467137	.44"

**TABLE 26: SPIRAL OPTIONS 28" DEEP MACHINE
MODELS 471/472**

ITEM COUNT	RETAINER COLOR	L/H ASSEMBLY	R/H ASSEMBLY	RETAINER	DIMENSION BETWEEN COILS
4	GREEN	C1707048	C1707050	C1457065	3.66"
5	TAN	C1707045	C1707047	C4407817	2.90"
6	PURPLE	C1707040	C1707042	C1477107	2.46"
7	BROWN	C1707057	C1707059	C1477106	2.23"
8	GRAY	C1707017	C1707019	C1477155	1.81"
10	BLUE	C1707005	C1707007	C1457061	1.44"
12	YELLOW	C1707009	C1707011	C1457062	1.18"
14	RED	C1707013	C1707015	C1457063	1.00"
18	WHITE	C1707021	C1707023	C1457064	.75"

THIS PAGE INTENTIONALLY LEFT BLANK

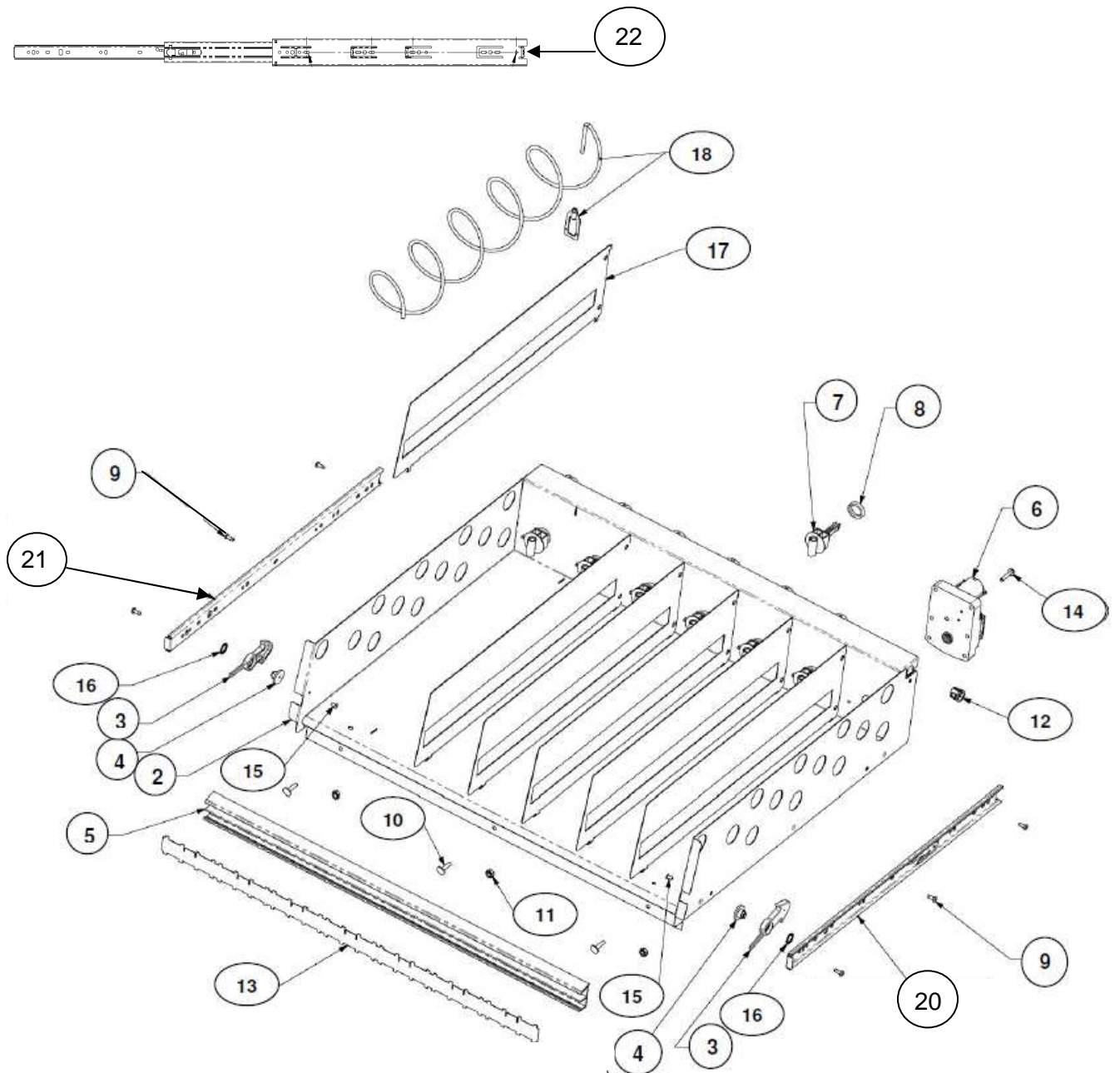


FIGURE 27: BOTTLE TRAY ASSEMBLY COMBO

TABLE 27: BOTTLE TRAY ASSEMBLY COMBO					
ITEM	471	472	DESCRIPTION	471	472
1	CR0007311	CR0007312	KIT, BOTTLE TRAY	----	----
2	CR0014773	CR0014770	WELD ASSY, BOTTLE TRAY	----	----
3	C1670031	C1670031	LATCH & RETAINER PACKAGE	2	2
4	C7807004	C7807004	STUD-TRAY LATCH	2	2
5	CR0004570	CR0004902	RAIL, PRICE & SELECTION	1	1
6	C1477112	C1477112	MOTOR & PC BOARD ASSEMBLY	7	10
7	C1477113	C1477113	COUPLING-SPIRAL	7	10
8	C4407803	C4407803	SPACER-MOTOR	7	10
9	AP276-8R6	AP276-8R6	8-32X3/8 PN/NIBS HD T23 BL	6	6
10	C2222031	C2222031	TEE BOLT, TRIM	3	3
11	C6333020	C6333020	NUT, #8-32 KEPS ZINC PLATE	----	----
12	C9989821	C9989821	BUSHING, 0.512 DIAMETER	1	1
13	CR0007442	CR0007440	HOLDER, PRICE	1	1
14	C1457027	C1457027	SCREW,#8-32 X .81 HEX HD.	7	10
15	C3502078	C3502078	RIVET, POP-.125 DIA X .265	2	2
16	C5201267	C5201267	RETAINER, .312 PUSH ON	2	2
17	CR0019985	CR0019985	A,DIVIDER & SPRNG TRAY RM/MER	6	9
18	CR0006912	CR0006912	ASSY-4CT LH SPIRAL & BLK RET	7	10
----	CR0006913	CR0006913	ASSY,5CT LH SPIRAL & TAN RET	7	10
19	CR0029411	CR0029414	HARNESS-MOTOR BOTTLE(NOT SHOWN)	1	1
20	CR0004459	CR0004459	MTG BRKT+SLIDE ASM RT	1	1
21	CR0004458	CR0004458	MTG BRKT+SLIDE ASM LT	1	1
22	CR0004833	CR0004833	SLIDES, BOTTLE TRAY	2	2

TABLE 27A: DUAL SPIRAL CONVERSION PARTS			
ITEM	PART NUMBER	DESCRIPTION	QTY
1	C1707050	GRN-RH- 4 CT-SPL & RETNR ASSY	1
2	C1707048	GRN-LH- 4 CT-SPL & RETNR ASSY	1
3	C1477156	JUMPER ASSY-MOTOR REVERSE	1

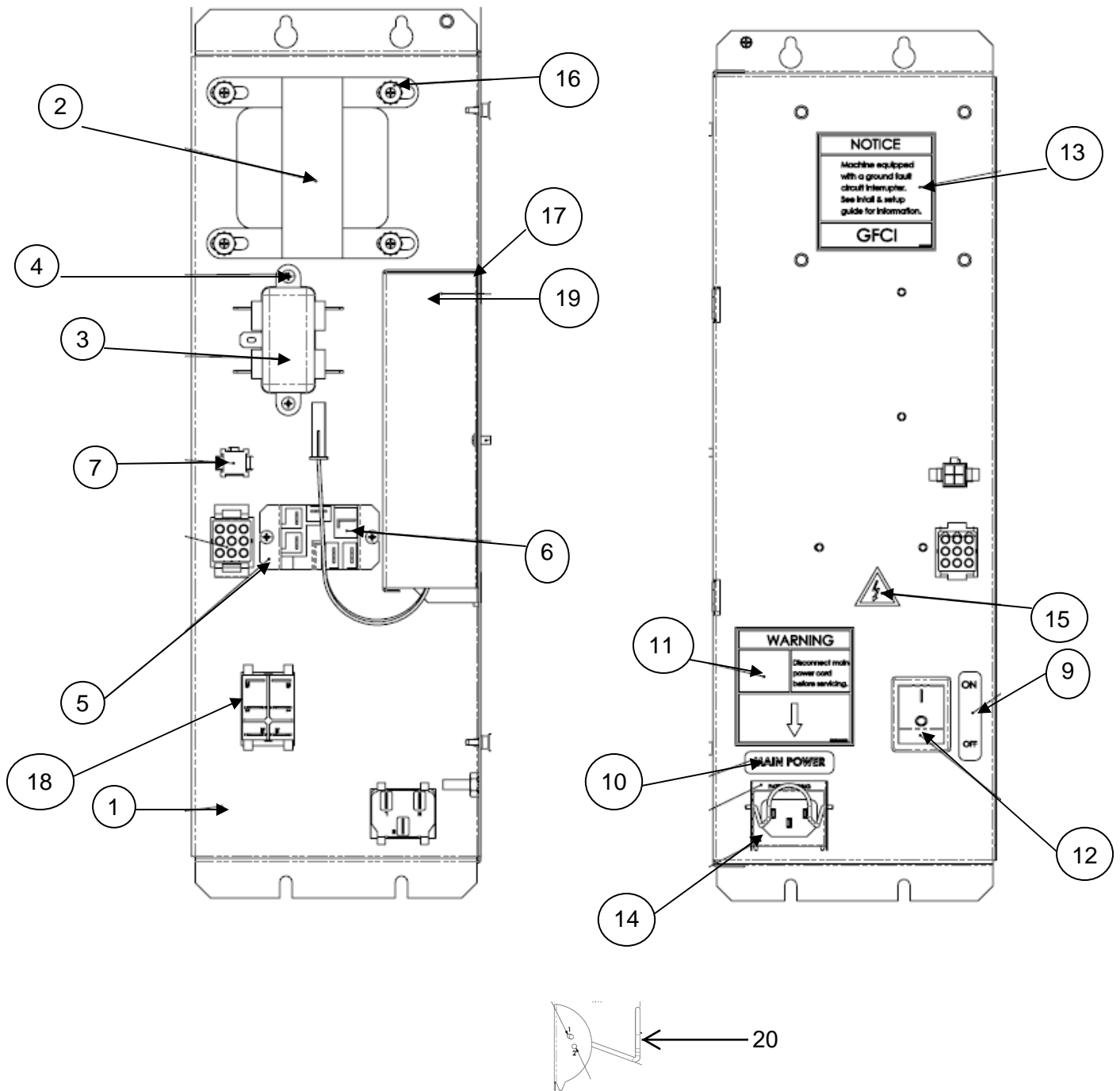


FIGURE 28: ASSY AC BOX AMB – 120VAC

TABLE 28: ASSY AC BOX AMB – 120VAC			
ITEM	PART NUMBER	DESCRIPTION	QTY
----	CR0014964	ASSY AC BOX AMB GLOBAL DOM	1
1	CR0014963	ASSY PEM AC BOX AMB GLOBAL	1
2	80492517	TRANSFRMR,60Hz CLASS2 LMTD DOM	1
3	A380303	FILTER-LIGHT	1
4	80020248	SCREW,R,#6-32x¼"PNHD THRD FRM	5
5	80420026	RELAY, FAN COMPRESSOR & LIGHT	1
6	CR0014602	LBL, LIGHT RELAY	1
7	CR0014582	HARNESS, RELAY	1
8	CR0014592	HARNESS, AC BOX AMB(NOT SHOWN)	1
9	80387972	LBL, ON/OFF ROCKER SWITCH	1
10	80386085	LBL,R, MAIN POWER	1
11	80387694	LBL,R, POWER DISCON AC BOX	1
12	C9984642	SWITCH, DPST, 20A, PNL MNT	1
13	80388542	LBL,R, NOTICE, GFCI EQUIP MACH	1
14	80491362	PLUG, POWER INLET GFV	1
15	90382586021	LBL,R, WARN HIGH VOLTAGE	1
16	C6333020	NUT, #8-32 KEPS ZINC PLATE	6
17	CR0024980	POWER SUPPLY, 24VDC, 72W MEGA	1
18	80492692	CHOKER, CAP & MOV 120V	1
19	CR0023392	BRKT MOUNT LED PWR SUPPLY	1
20	CR0027362	CLIP,AC/PWR CORD RETENTN MEDIA	1

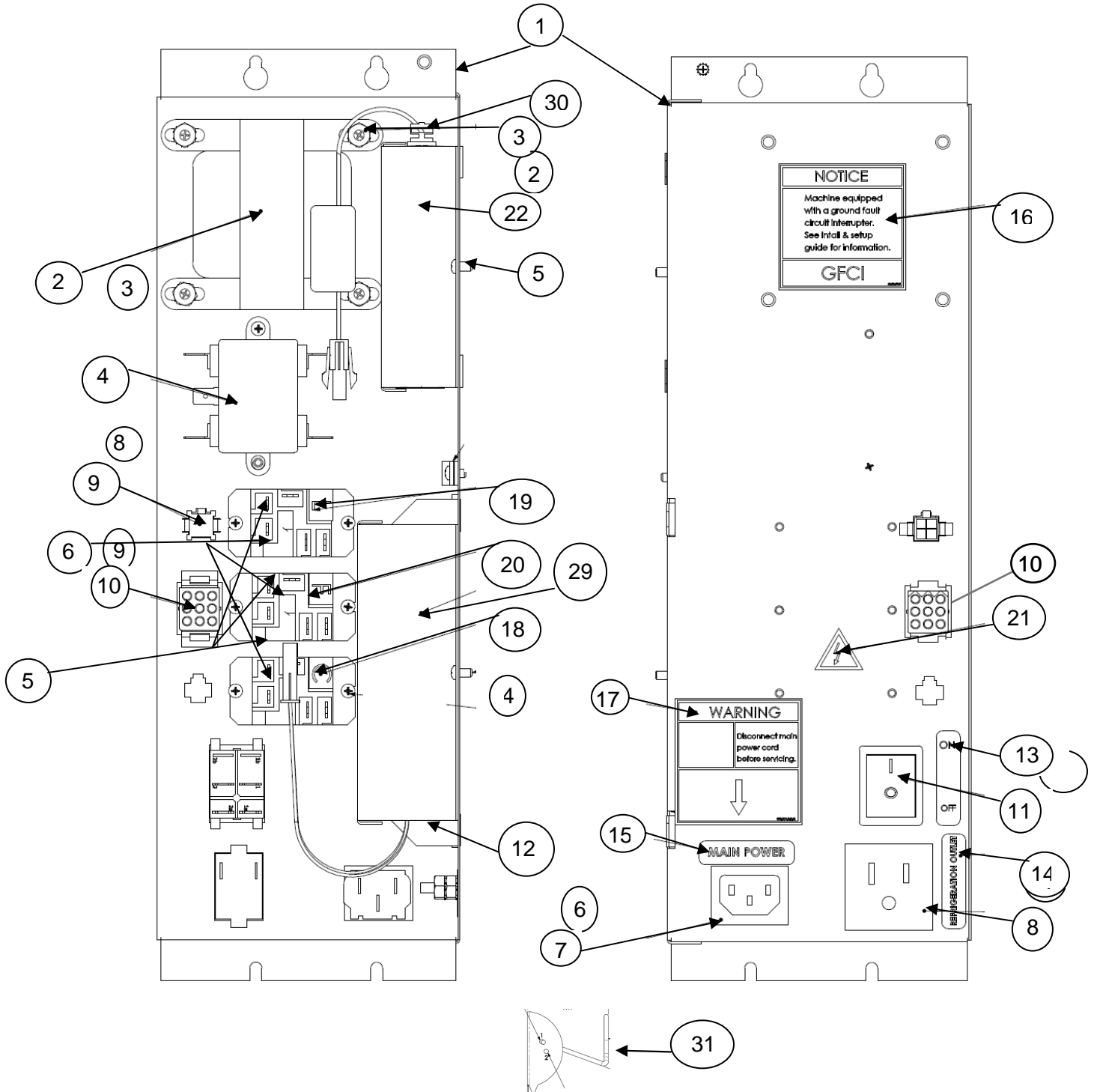


FIGURE 29: ASSY AC BOX COMBO – 120VAC

TABLE 29: ASSY AC BOX COMBO – 120VAC			
ITEM	PART NUMBER	DESCRIPTION	QTY
----	CR0021100	ASSY AC BOX GLOBAL COMBO DOM	1
1	CR0021099	ASSY, STUD AC BOX HEATD DOM MG	1
2	80493017	TRANSFRMR,60Hz CLASS2 LMTD DOM	1
3	C6333020	NUT, #8-32 KEPS ZINC PLATE	6
4	C9989100	FILTER, INTERFERENCE	1
5	80020248	SCREW,R,#6-32x¼"PNHD THRD FRM	11
6	80420026	RELAY, FAN COMPRESSOR & LIGHT	1
7	80491362	PLUG, POWER INLET GFV	1
8	DW662	OUTLET, AC, PANEL MOUNT	1
9	CR0014576	HARNESS, RELAY	1
10	CR0014549	HARNESS, AC BOX	1
11	C9984642	SWITCH, DPST, 20A, PNL MNT	1
12	CR0024980	POWER SUPPLY, 24VDC, 72W MEGA	1
13	80387972	LBL, ON/OFF ROCKER SWITCH	1
14	80386804	LBL,R, REFR OUTLET	1
15	80386085	LBL,R, MAIN POWER	1
16	80388542	LBL,R, NOTICE, GFCI EQUIP	1
17	80387694	LBL,R, POWER DISCON AC BOX	1
18	CR0014601	LBL, COMPRESSOR RELAY	1
19	CR0014602	LBL, LIGHT RELAY	1
20	CR0014603	LBL,FAN RELAY	1
21	90382586	LBL,R, WARN HIGH VOLTAGE	1
22	CR0004946	BRKT,MOUNTNG 24V PWR SUPPLY	1
23	CR0020848	HARNESS, C13 ADAPTER W/FLAG(NOT SHOWN)	1
24	CR0021174	HRNSS, AC POWER IN(NOT SHOWN)	1
25	80491381	JUMPER, PWR INLET GROUND(NOT SHOWN)	1
26	80491384	GROUND,R,COMPRESSOR OUTLET(NOT SHOWN)	1
27	80491595	JUMPER, 14 AWG 6in(NOT SHOWN)	2
28	80492876	JUMPER,AC MAIN POWER WHITE(NOT SHOWN)	1
29	CR0023392	BRKT MOUNT LED PWR SUPPLY	1
30	80440147	PWR SUPP,24VDC RED 1.5AMP 36W	1
31	CR0027362	CLIP,AC/PWR CORD RETENTN MEDIA	1

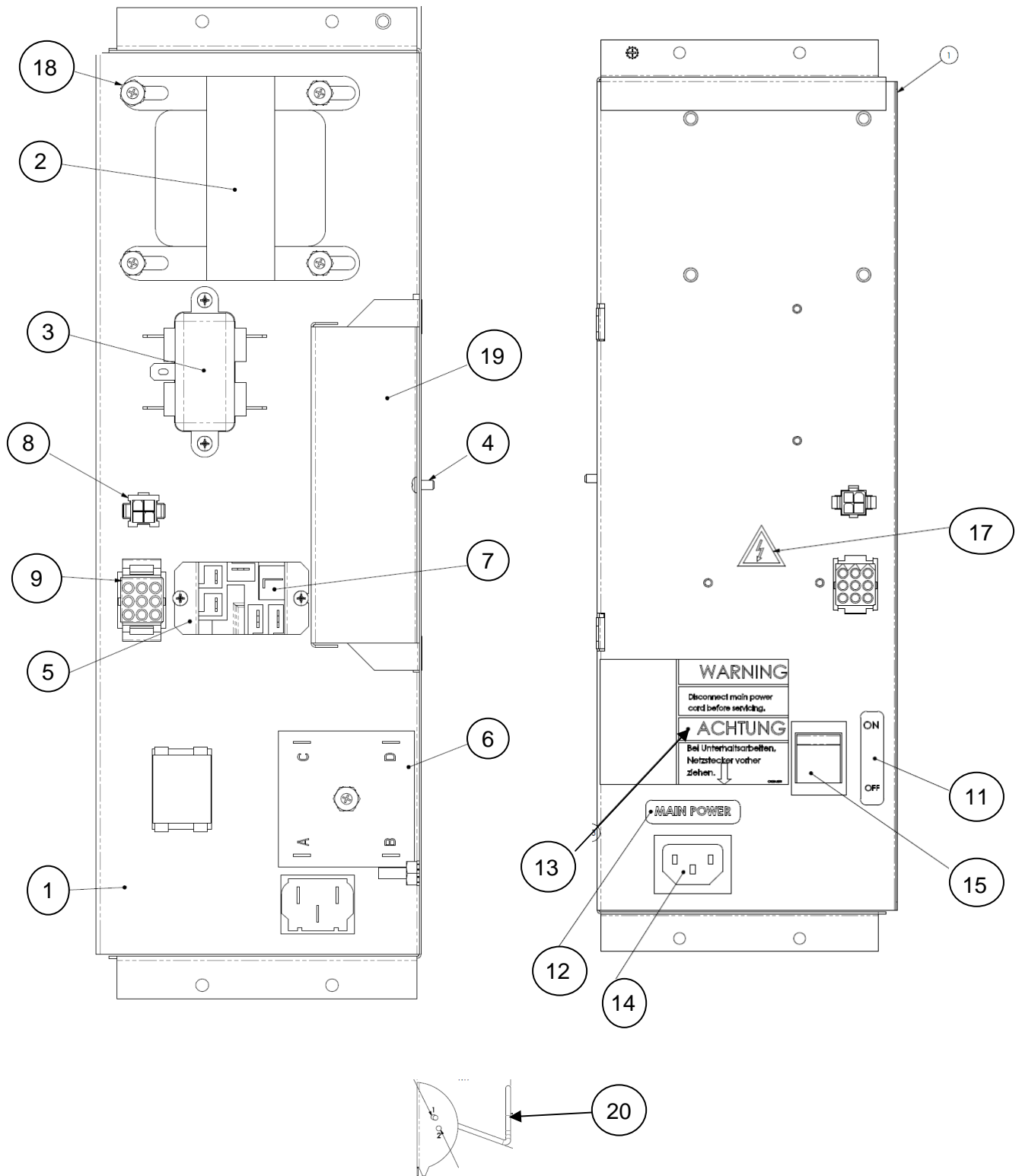


FIGURE 30: ASSY AC BOX AMB – 230VAC

TABLE 30: ASSY AC BOX AMBIENT – 230VAC			
ITEM	PART NUMBER	DESCRIPTION	QTY
*	CR0018296	ASSY AC BOX AMB EXP	1
1	CR0016649	ASSY,PEM,AC BOX EXP AMB	1
2	80492868	TRANSFORMER,R, EXPOR	1
3	A380303	FILTER-LIGHT	1
4	80020248	SCREW,R,#6-32x¼"PNHD THRD FRM	5
5	80420026	RELAY, FAN COMPRESSOR & LIGHT	1
6	D80493046	CHOKE, CAP & MOV 240V	1
7	CR0014602	LBL, LIGHT RELAY	1
8	CR0014582	HARNESS, RELAY AMB	1
9	CR0014592	HARNESS, AC BOX AMB	1
10	CR0024980	POWER SUPPLY, 24VDC, 72W MEGA	1
11	80387972	LBL, ON/OFF ROCKER SWITCH	1
12	80386085	LBL,R, MAIN POWER	1
13	CR0015321	LBL,AC BOX POWER DIST GERMAN	1
14	D80491362	PLUG, POWER INLET	1
15	D80410112	SWITCH, ROCKER DPST GREEN	1
16	CR0013971	HARNESS,ADAPTER C13 W/FLAG	1
17	90382586021	LBL,R, WARN HIGH VOLTAGE	1
18	C6333020	NUT, #8-32 KEPS ZINC PLATE	6
19	CR0023392	BRKT MOUNT LED PWR SUPPLY	1
20	CR0027362	CLIP,AC/PWR CORD RETENTN MEDIA	1

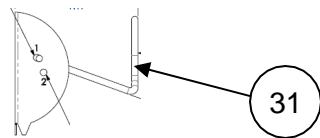
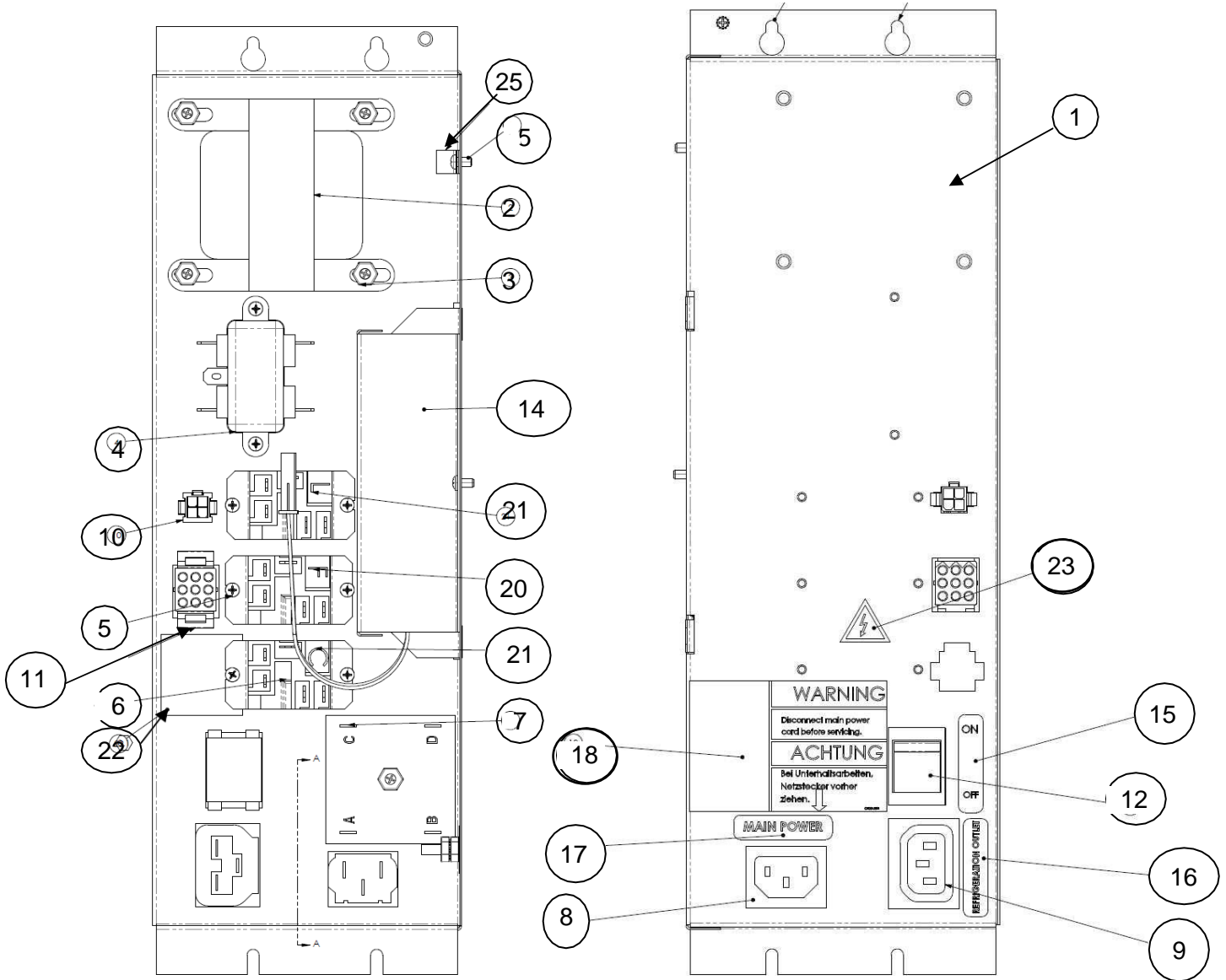


FIGURE 31: ASSY AC BOX COMBO – 230VAC

TABLE 31: ASSY AC BOX COMBO – 230VAC			
ITEM	PART NUMBER	DESCRIPTION	QTY
1	CR0021122	ASSY PWR BOX MERCH MED	1
2	D80492868011	TRANSFORMER,R, EXPORT	1
3	80080154	NUT,R, KEPS 8-32	7
4	A380303	FILTER-LIGHT	1
5	D80020248	SCREW,R,#6-32x¼"PNHD THRDFRM	10
6	D80420026	RELAY, FAN COMPRESSOR & LIGHT	3
7	D80493046	CHOKE, CAP & MOV 240V	1
8	D80491362	PLUG, POWER INLET	1
9	D80491114001	RECEPTACLE, PNL MNT IEC 320	1
10	CR0014576	HARNESS, RELAY	1
11	80492058	HARN,R,PWR DISTRIB	1
12	D80410112	SWITCH, ROCKER DPST GREEN	1
13	CR0013899	POWER SUPPLY, 24VDC, 72W MEGA	1
14	CR0023392	BRKT MOUNT LED PWR SUPPLY	1
15	80387972	LBL, ON/OFF ROCKER SWITC	1
16	80386804	LBL,R, REFR OUTLET	1
17	80386085	LBL,R, MAIN POWER	1
18	CR0015321	LBL,AC BOX POWER DIST GERMAN	1
19	CR0014601	LBL, COMPRESSOR RELAY	1
20	CR0014602	LBL,LIGHT RELAY	1
21	CR0014603	LBL,FAN RELAY	1
22	CR0019959	AC BOX GLOBAL OPENING COVER	1
23	90382586	LBL,R, WARN HIGH VOLTAGE	1
24	90382661	LBL, GROUND	1
25	80090251	CLAMP,R,P NYLON CABLE 5/16"WHT	1
26	CR0013971	HARNESS,ADAPTER C13 W/FLAG	1
27	80492843	HARNESS,R, AC BOX PWR I	1
28	80491381	JUMPER,R, PWR INLET GROUND	2
29	80491595	JUMPER,R, 14 AWG 6in	2
30	80492876	JUMPER,AC MAIN POWER WHITE	1
31	CR0027362	CLIP,AC/PWR CORD RETENTN MEDIA	1
	D80492903	MAINS LEAD (UK plug to 3 pin input on power box)	1

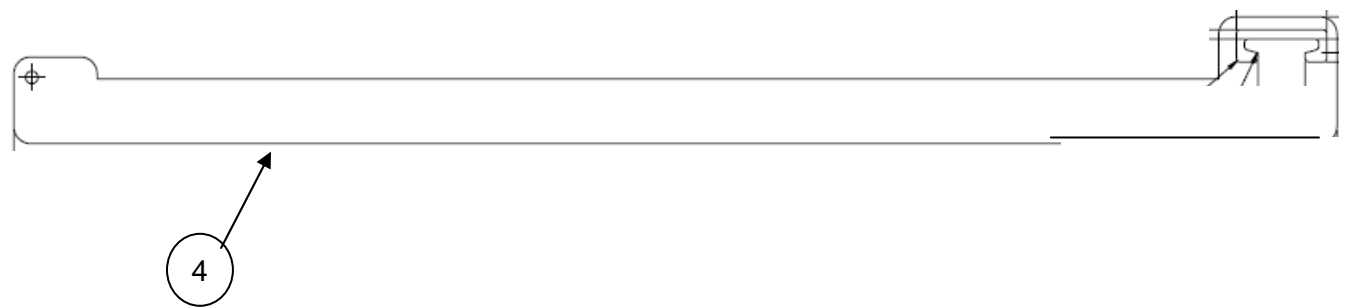
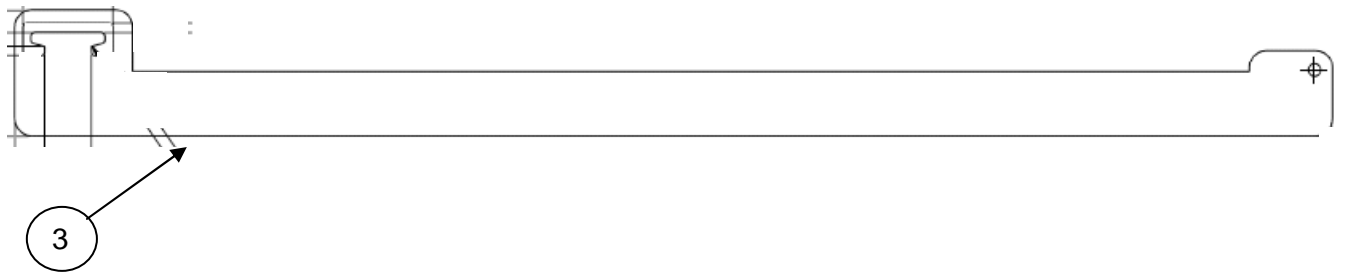
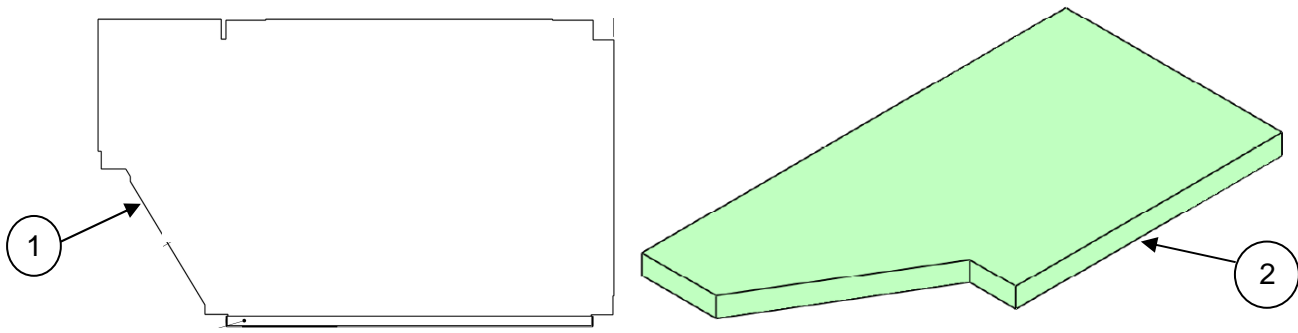


FIGURE 32: ZONE BARRIER COMBO

TABLE 32: ZONE BARRIER COMBO				
ITEM	471	472	DESCRIPTION	QTY
1	CR0007421	CR0007422	ASSEMBLY BARRIER	1
2	CR0004880	CR0004880	SEAL, HORIZ BARRIER	1
3	CR0004389	CR0004389	BRKT, INSULATED SHELF LT	1
4	CR0004407	CR0004407	BRKT, INSULATED SHELF RT	1
*	CR0007421		KIT, 4W DUAL ZONE BARRIER	*
*		CR0007422	KIT, 6W DUAL ZONE BARRIER	*

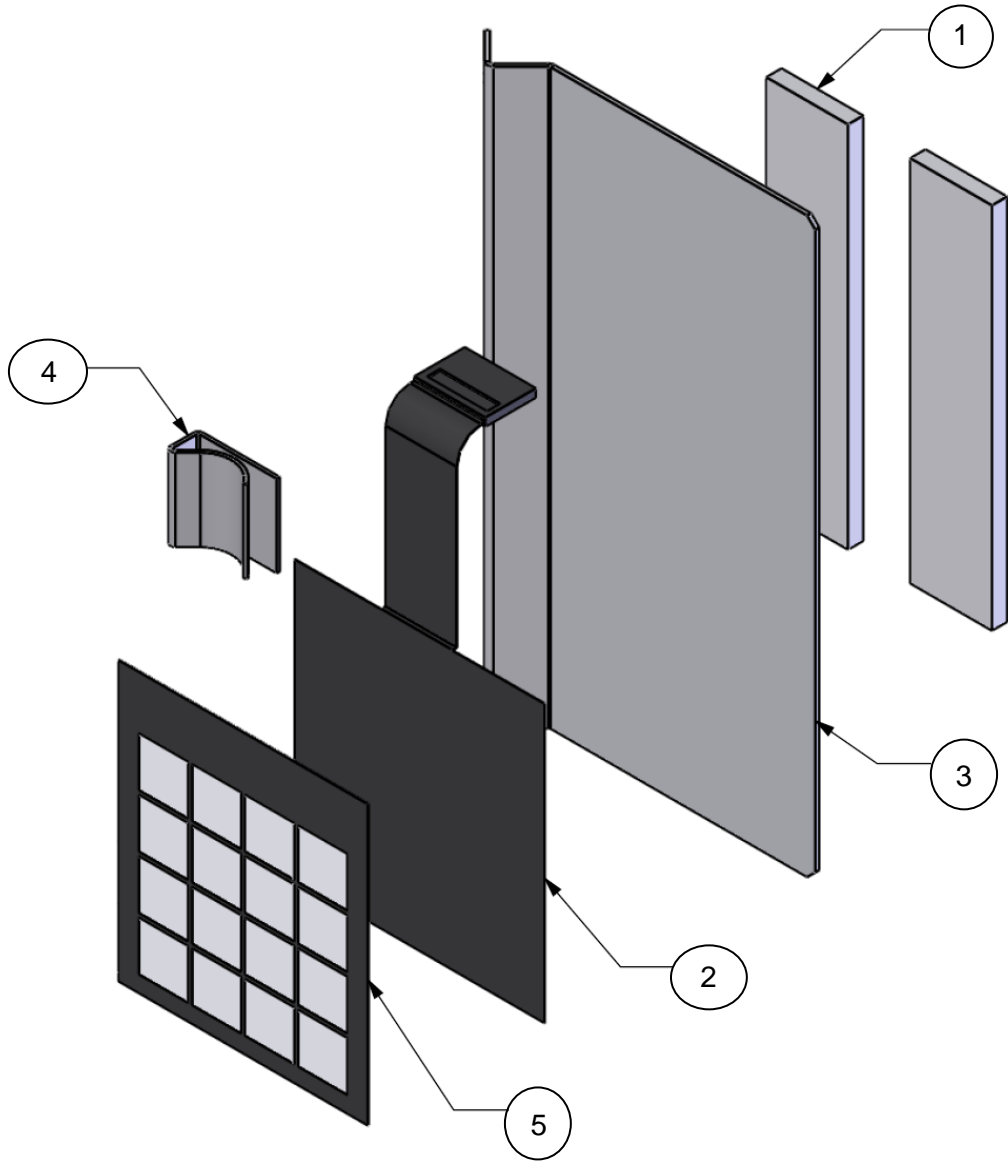


FIGURE 33: ASSY, MEDIA INTERNAL KEYPAD - OPTIONAL

TABLE 33: ASSY, MEDIA INTERNAL KEYPAD

ITEM	PART NUMBER	DESCRIPTION	QTY
*	CR0020665	ASSY, MEDIA INTERNAL KEYPAD	
1	C3122056	MAGNET,RETAINR	2
2	C7215025	MEMBRANE SWITCH ASSY-PROGRAM	1
3	CR0020666	BKT, MEDIA INTERNAL KEYPAD	1
4	C4302166	CABLE CLIP	1
5	CR0020726	LABEL, MEDIA SERVICE KEYPAD	1
6	CR0020536	HARNESS, SERVICE KEYPAD (NOT SHOWN)	1

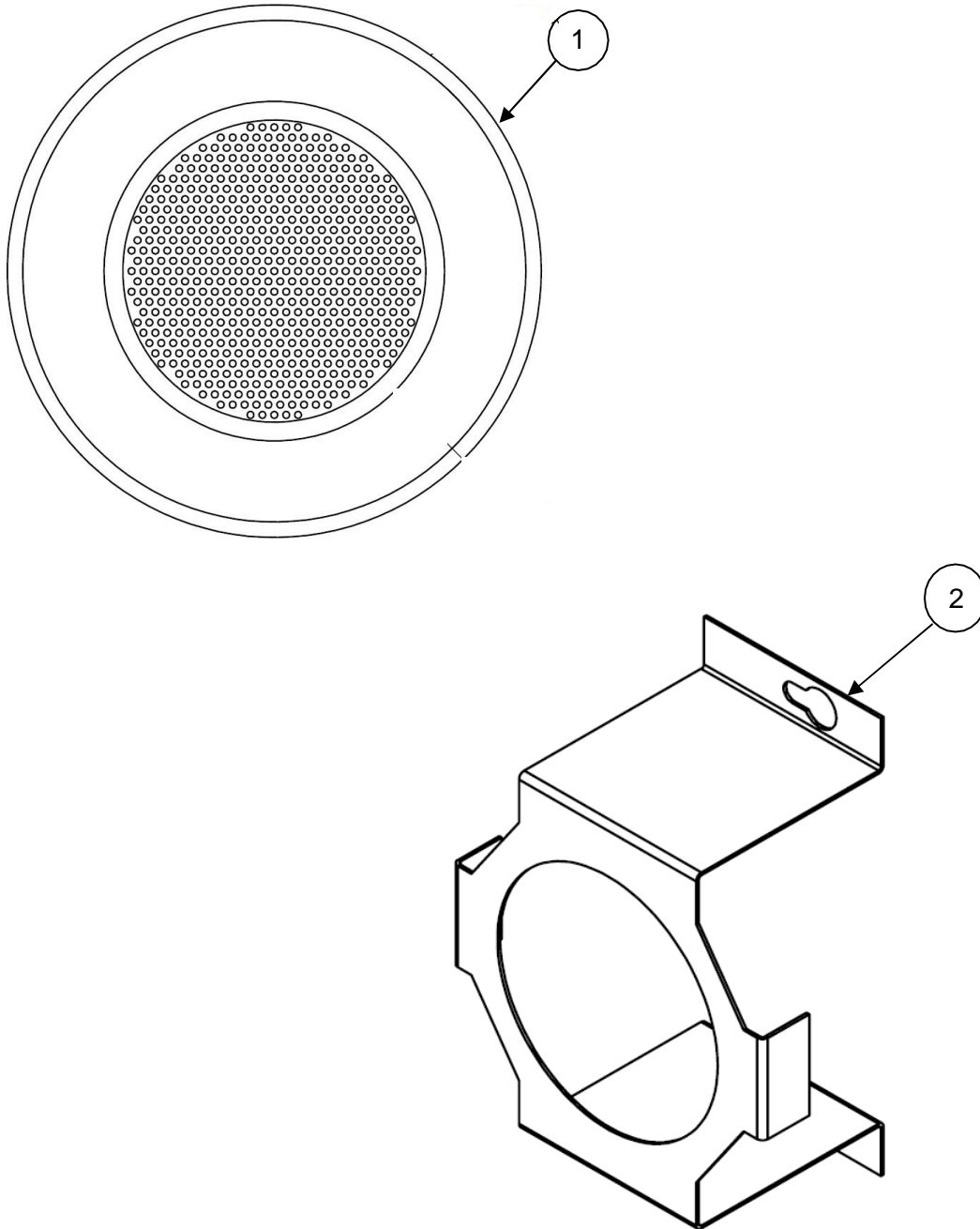


FIGURE 34: MEDIA TALKER SPEAKER AND BRACKET ASSY - OPTIONAL